

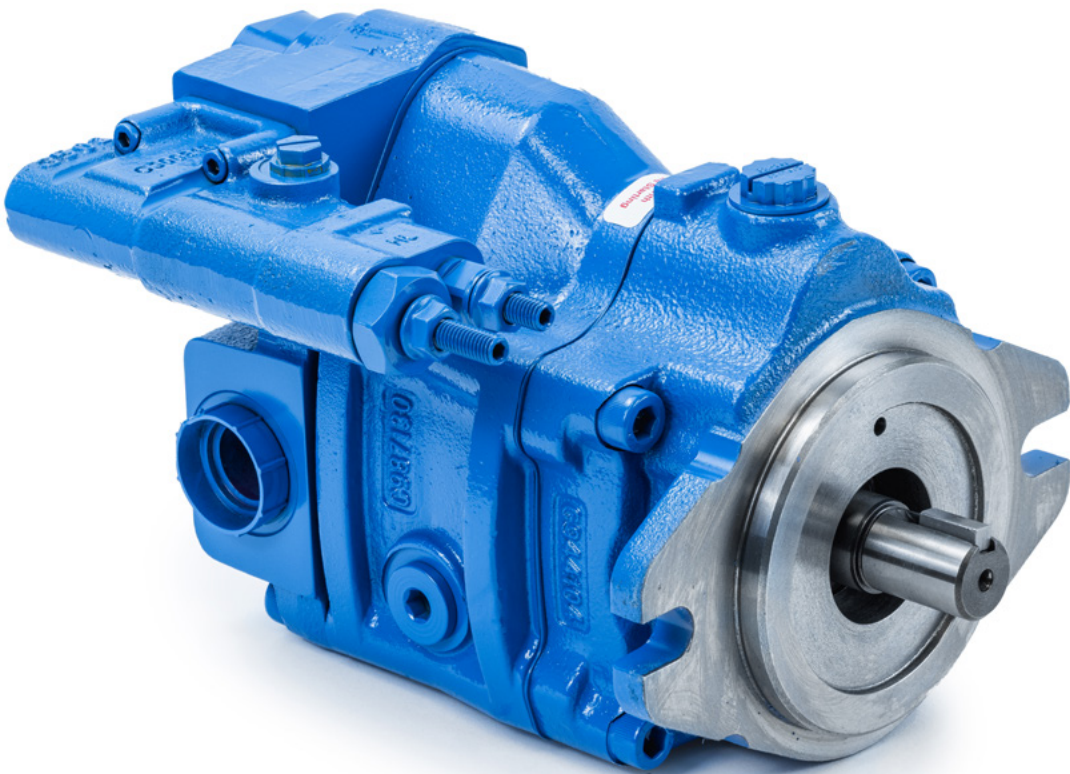


PANAGON
systems

HYDRAULIC PUMP MANUFACTURING

PVM PISTON PUMP MODELS **BUILT BY US**

PVM 018/020 PVM 074/081
PVM 045/050 PVM 098/106
PVM 057/063 PVM 131/141



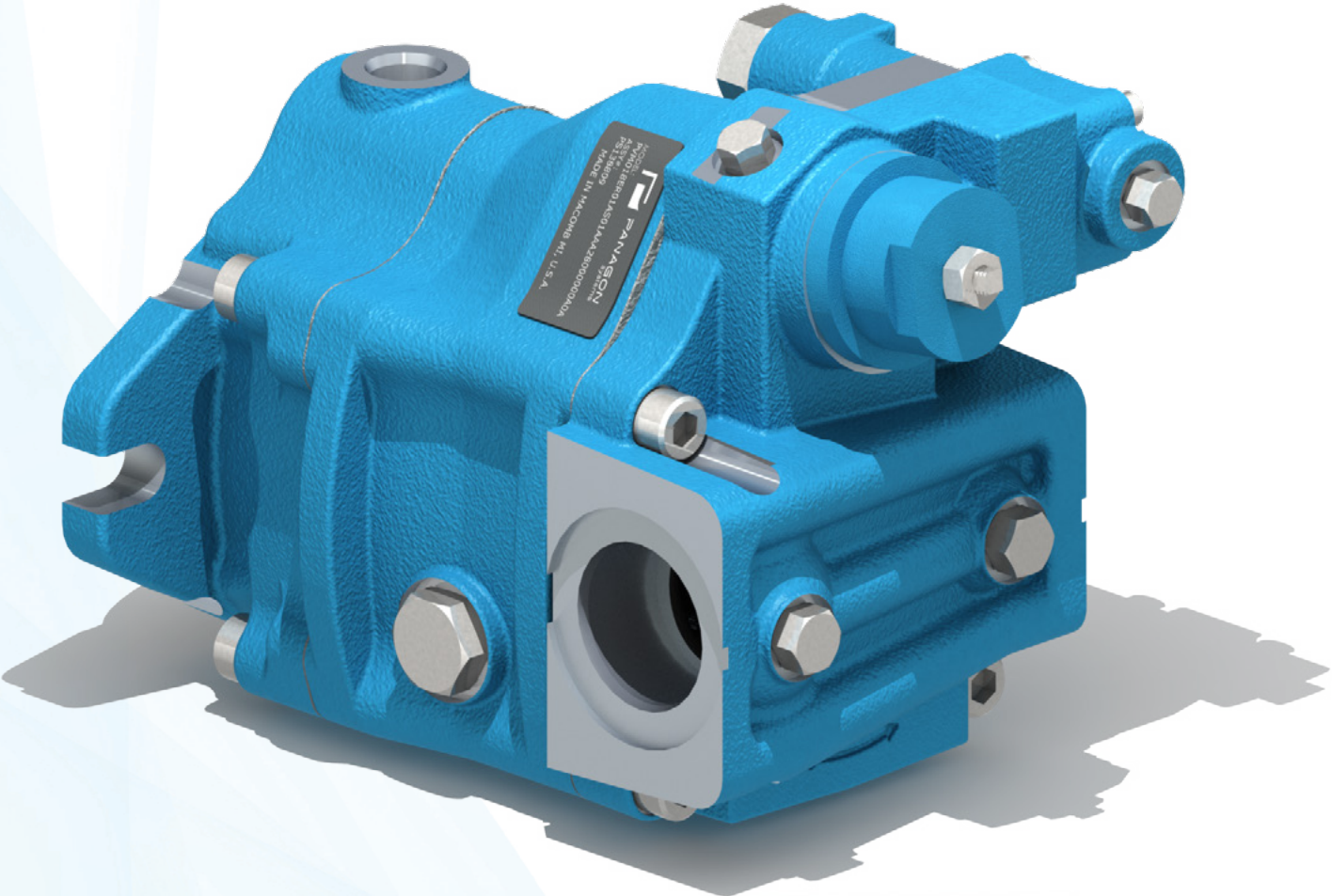
PARTS INFORMATION GUIDE

WWW.PANAGONSYSTEMS.COM



Founded nearly 35 years ago, Panagon Systems has remained a trusted company producing hydraulic parts on demand for a number of shops, manufacturers and industries. The company, located in Macomb, Michigan, is a hydraulic piston pumps and parts manufacturer, providing a vast variety of current and obsolete components. With a variety of CNC machines, Panagon produces finished product from raw materials. Which are then assembled, tested, painted and shipped from our facility. Panagon Systems attempts to fill the void OEM's create by manufacturing the phased out, expensive, unavailable pumps, motors and transmissions.

Model 018/020	2
Parts Identification	3
Parts Lists	4
Identification of Model Code	6
Model 045/050	8
Parts Identification	9
Parts Lists	10
Identification of Model Code	12
Model 057/063	14
Parts Identification	15
Parts Lists	16
Identification of Model Code	18
Model 074/081	20
Parts Identification	21
Parts Lists	22
Identification of Model Code	24
Model 098/106	26
Parts Identification	27
Parts Lists	28
Identification of Model Code	30
Model 131/141	32
Parts Identification	33
Parts Lists	34
Identification of Model Code	36



Model PVM018/PVM020



Model PVM018/PVM020

ITEM	PART NUMBER		QTY	NOTE	DESCRIPTION
	Panagon	OEM			
1	See Table 1		1		Pressure Compensator
2	PS5813532	114953-030	4	A/G	Soc HD Cap Screw M5
3	PS5813533	104166-011	2	A/B/G	O-Ring
4	PS5813534	104166-017	1	A/B/G	O-Ring
5	See Table 2		1		Drive Shaft
6	See Table 2		1		Key
8	PS1337	417381	1	E	Bearing S/A
9	See Table 3		1		Valve Plate
10	PS7	16028-303	1		Pin (Valve Plate)
11	See Table 4		1		Mounting Flange
14	PS5813536	943990	1	B	Flange Gasket
15	PS136787	937340	1	B/F	Shaft Seal
16	PS7146	101680-162	1	B/F	Retaining Ring
21	See Table 5		1		Housing
22	See Table 5		2		O-Ring Plug S/A
23	See Table 6		1		Valve Block
23	See Table 7		1		Valve Block Thru Drive
24	PS5811570	937317	1	B	Valve Block Gasket
25	PS8123	115046-002	1		O-Ring Plug S/A
26	PS2254	115046-004	2		O-Ring Plug S/A
27	PS5813541	114976-040	4		Soc HD Cap Screw M10
29	PS8097	16026-608	4		Roll Pin
30	PS5811299	02-335336	1	E	Bearing S/A
31	PS5813543	4992182-xxx			Shaft Spacer
32	PS5813544	943933	1		Control Cap
33	PS5813545	115016-221	1	B	O-Ring
34	PS5813546	997089	1		Adjustment Screw
35	PS5813547	4992732-001	1		Jam Nut
36	PS5811360	8770-015	1	B	Back-Up Ring
37	PS5811361	104166-015	1	B	O-Ring
38	PS5813548	943934	1		Hex Stop
39	PS5813549	943931	1		Control Piston
40	PS5813550	937455	1	B	Glide Ring
41	PS5813551	104166-110	1	B	O-Ring
42	PS5813552	943932	1		Sleeve
43	PS134857	115001-023	1	B	Back-Up Ring
44	PS5813554	104166-023	1	B	O-Ring
45	PS134850	115001-022	1	B	Back-Up Ring
46	PS5813556	104166-022	1	B	O-Ring

ITEM	PART NUMBER		QTY	NOTE	DESCRIPTION
	Panagon	OEM			
47	PS7	16028-303	1		Pin
48	PS5813558	932921	1		Chain Link
49	PS5811381	943992	1		Swashplate
50	PS5813559	02-340318	2	D	Cradle Bearing
52	PS8097	16026-608	1	D	Pin
53	PS8096	409998	1	D	Button
54	PS8095	409999	1	D	Spring Seat
56	PS5813561	943905	1		Outer Bias Spring
57	PS5813562	937061	1	C/K	Cylinder Block (18)
57	PS5813563	937062	1	C/L	Cylinder Block (20)
58	PS5813564	101680-145	1	C	Retaining Ring
59	PS5813565	937338	1	C	Spring Guide, Outer
60	PS5813566	937336	1	C	Spring
61	PS5813567	937337	1	C	Spring Guide, Inner
62	PS5813568	913833	1	C	Pin Retainer
63	PS5813569	937339	3	C	Pin
64	PS5811037	02-334516	9	C/K	Piston Shoe S/A (18)
64	PS5813571	02-335670	9	C/L	Piston Shoe S/A (20)
65	PS5813573	937069	1	C/K	Shoe Retainer
66	PS5813574	937070	1	C/K	Ballguide
72	PS5813500	104166-152	1	B	O-Ring, Valve Block
73	See Table 8		1		Coupling
74	See Table 8		1		Retaining Ring

A Available in control kit. See Table 1.

B Available in seal kit PS5800431 / 02-347284.

C Available in rotating group kit PS5817664 / 02-347285 for PVM018 or PS5811748 / 02-347286 for PVM020.

D Available in yoke & saddle bearing kit PS5817660 / 02-347287.

E Available in shaft bearing kit PS5817661 / 02-347288.

F Available in single shaft seal kit PS5817662 / 02-347290. Equivalent double shaft seal kit PS5817663 / 02-347291.

G Available in control mounting kit PS5817659 / 9900104-000.

K For PVM018 only.

L For PVM020 only.

Model PVM018/PVM020

Table 1 - Pressure Compensator					
Model Code			Panagon	OEM	
13,14	17,18,19	20,21	1		
All	A28	00	PS5813817	114969-001	
All	A07	00	PS5813818	114969-002	
01/02	B28	11	PS5813819	114970-001	
01/02	C28	11	PS5813820	114970-002	
01/02	B28	24	PS5813821	114970-003	
01/02	C28	24	PS5813822	114970-004	
01/02	B07	11	PS5813823	114970-005	
01/02	C07	11	PS5813824	114970-006	
01/02	B07	24	PS5813825	114970-007	
01/02	C07	24	PS5813826	114970-008	
03/04	B28	11	PS5813827	114970-009	
03/04	C28	11	PS5813828	114970-010	
03/04	B28	24	PS5813829	114970-011	
03/04	C28	24	PS5813830	114970-012	
03/04	B07	11	PS5813831	114970-013	
03/04	C07	11	PS5813832	114970-014	
03/04	B07	24	PS5813833	114970-015	
03/04	C07	24	PS5813834	114970-016	
05	B28	11	PS5813835	114970-017	
05	C28	11	PS5813836	114970-018	
05	B28	24	PS5813837	114970-019	
05	C28	24	PS5813838	114970-020	
05	B07	11	PS5813839	114970-021	
05	C07	11	PS5813840	114970-022	
05	B07	24	PS5813841	114970-023	
05	C07	24	PS5813842	114970-024	

Table 3 - Control Plate					
Model Code			Panagon	OEM	
4,5,6	7,8	9			
018	ER	PS5813744	937158		
018	MR	PS5813745	937159		
018	EL	PS5813746	937160		
018	ML	PS5813747	937161		
020	ER	PS5813748	937412		
020	MR	PS5813749	937411		
020	EL	PS5813748	937412		
020	ML	PS5813751	937414		

Table 5 - Housing					
Model Code		Panagon	OEM	Panagon	OEM
13,14	21		22		
02	PS5814124	943989	PS5814121	115046-008	
01	PS5814124	943989	PS5814121	115046-008	
04	PS5814125	937164	PS5814122	115050-018	
03	PS5814125	937164	PS5814122	115050-018	
05	PS5814126	937165	PS5814123	4992947-001	

Table 8 - Coupling					
Model Code		Panagon	OEM	Panagon	OEM
25	REF	73		74	
A	A9	PS5814051	937454	PS5814118	101680-062
B	A11	PS5814120	937453	PS5814118	101680-062
C	B13	-	-	-	-
D	A15	-	-	-	-
G	MA9	PS5814051	937454	PS5814118	101680-062
H	MA11	PS5814120	937453	PS5814118	101680-062
J	MB13	-	-	-	-

Table 6 - Valve Block					
Model Code			Panagon	OEM	
8	12,13,14	23			
R	S01	PS5813968	937150		
R	S02	PS5813969	937435		
R	S03	PS5813972	937151		
R	S04	PS5813973	937436		
R	S05	PS5813984	937052		
R	E01	PS5813976	937304		
R	E02	PS5813977	937306		
R	E03	PS5813980	937305		
R	E04	PS5813981	937307		
R	E05	PS5813985	937308		
L	S01	PS5813970	937421		
L	S02	PS5813971	937438		
L	S03	PS5813974	937437		
L	S04	PS5813975	937439		
L	S05	PS5813986	937940		
L	E01	PS5813978	944173		
L	E02	PS5813979	937192		
L	E03	PS5813982	937191		
L	E04	PS5813983	937194		
L	E05	PS5813987	944170		

Table 2 - Shaft and Key					
Model Code		Panagon	OEM	Panagon	OEM
9,10	11	25	5		6
05	C	O	PS5813752	937445	PS5813769 4992730-001
06	C	O	PS5813753	937446	PS5813770 4992730-002
07	C	O	PS5813754	937447	- -
08	C	O	PS5813755	937448	- -
15	B	O	PS5813756	937456	PS5813771 4992728-001
17	D	O	PS5813757	937088	PS5813772 4992728-002
01	A	O	PS5813758	937183	PS5813773 4992730-006
02	A	O	PS5813759	937184	PS5813774 4992730-007
03	B/C	O	PS5813760	937185	- -
04	A/B/C	O	PS5813761	937186	- -
05	C	A	PS5813762	937449	PS5813769 4992730-001
06	C	A	PS5813763	937450	PS5813776 4992730-003
07	C	A	PS5813764	937451	PS5813772 4992728-002
08	C	A	PS5813765	937452	- -
20	C	O	PS5813766	943941	- -
21	B	O	PS5813767	996833	PS5813775 4992728-003
22	D	O	PS5813768	996834	- -

Table 4 - Mounting Flange					
Model Code			Panagon	OEM	
11	13,14	15,16	11		
A	01/02	00/AA/AC	PS5813900	943994	
A	01/02	AB/AD	PS5813899	937441	
A	03/04	00/AA/AC	PS5813901	997020	
A	03/04	AB/AD	PS5813902	997021	
A	05	00/AA/AC	PS5813903	996928	
A	05	AB/AD	PS5813904	996930	
B	03/04	00/AA/AC	PS5813905	937442	
B	03/04	AB/AD	PS5813906	937443	
B	05	00/AA/AC	PS5813907	996929	
B	05	AB/AD	PS5813908	996931	
C	01/02	00/AA/AC	PS5813909	937429	
C	01/02	AB/AD	PS5813910	944105	
C	03/04	00/AA/AC	PS5813910	944105	
C	03/04	AB/AD	PS5813909	937429	
C	05	00/AA/AC	PS5813913	996932	
C	05	AB/AD	PS5813914	996934	
D	01/02	00/AA/AC	PS5813915	937430	
D	01/02	AB/AD	PS5813916	937431	
D	03/04	00/AA/AC	-	-	
D	03/04	AB/AD	-	-	
D	05	00/AA/AC	PS5813917	996933	
D	05	AB/AD	PS5813918	996935	

Table 7 - Valve Block TD					
Model Code			Panagon	OEM	
8	12,13,14	25	23		
R	01	A/B	PS5814055	937460	
R	02	A/B	PS5814056	937187	
R	03	A/B	PS5814057	937461	
R	04	A/B	PS5814058	937188	
R	05	A/B	PS5814059	937462	
R	03	G/H	PS5814060	937463	
R	04	G/H	PS5814061	937189	
R	05	G/H	PS5814062	937464	
L	01	A/B	PS5814063	996816	
L	02	A/B	PS5814064	996819	
L	03	A/B	PS5814065	996817	
L	04	A/B	PS5814066	996820	
L	05	A/B	PS5814067	996822	
L	03	G/H	PS5814068	996818	
L	04	G/H	PS5814069	996821	
L	05	G/H	PS5814070	996823	

Model PVM018/PVM020

P V M 0 1 8 E R 0 1 A S 0 1 A A A 2 8 0 0 0 0 0 0 A 0 A
1 2 3 4 5 6 7 8 9 10 11 12 13 14 15 16 17 18 19 20 21 22 23 24 25 26 27 28

1 2 3 **Pump Series**

PVM M-Series variable piston pump

4 5 6 **Displacement**

018 18.0 cm³/rev (1.10 in³/rev) 280 bar
 020 21.1 cm³/rev (1.24 in³/rev) 230 bar

7 **Valve Plate**

E Industrial (1800 rpm max)
 M Mobile equipment speeds

8 **Input Rotation**

R Clockwise (right hand)
 L Counterclockwise (left hand)

9 10 **Input Shaft**

01 SAE J744-16-1 A straight key
 02 SAE J744-19-1 19mm straight key
 03 SAE J744-16-4 A 9T spline
 04 SAE J744-16-4 A 11T spline
 05 SAE J744-22-1 B straight key
 06 SAE J744-25-1 B-B straight key
 07 SAE J744-22-4 B 13T spline
 08 SAE J744-25-4 B-B 15T spline

11 **Mounting Flange**

A SAE J744-82-2 (SAE A 2 bolt)
 C SAE J744-101-2 (SAE B 2 bolt)

12 **Main Port Location**

E End (na on thru drive)
 S Side

13 14 **Main Port Type**

01 SAE J514 tube ports
 02 SAE J518 flange ports
 03 ISO 6149-1 tube ports
 04 ISO 6162 flange ports

15 16 **Pump Special Features**

00 None (single shaft seal)
 AA Adjustable maximum displacement stop and single shaft seal (standard)
 AB Double shaft seal, two way
 AD Adjustable maximum displacement stop and double shaft seal

Control

17 0 None
 A Pressure compensator
 B Pressure and flow compensator with bleed orifice
 C Pressure and flow compensator with plugged orifice

Pressure Comp Setting

18 19 00 None
 07 66-74 bar (957-1073 psi)
 23 227-234 bar (3277-3393 psi) 020 cm³/rev
 28 276-284 bar (4002-4118 psi) 018 cm³/rev

Flow Comp Setting

20 21 00 None
 11 10-11 bar (145-174 psi)
 20 19-21 bar (275.5-304.5 psi)
 24 23-25 bar (333.5-362.5 psi)

Torque Limiter Setting

22 23 00 None

Compensator Special Features

24 0 None

Auxiliary Mounting Pad

25 0 None
 A SAE A 2 bolt 9T spline
 B SAE A 2 bolt 11T spline

Paint

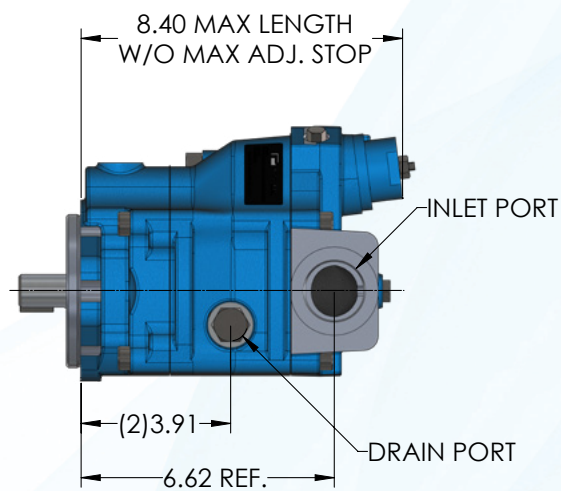
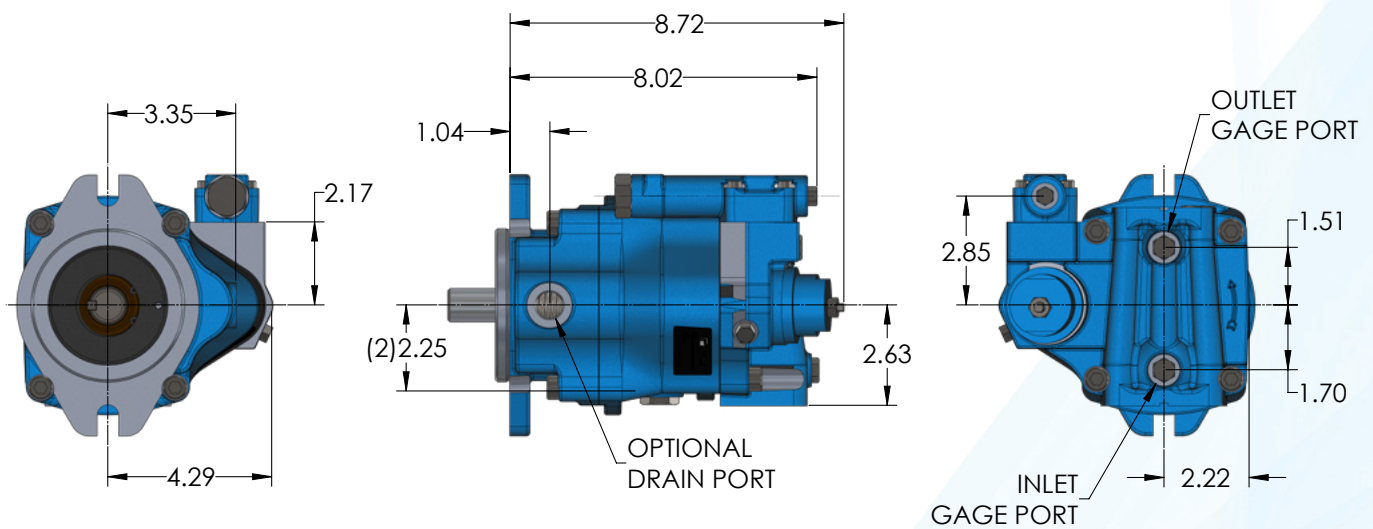
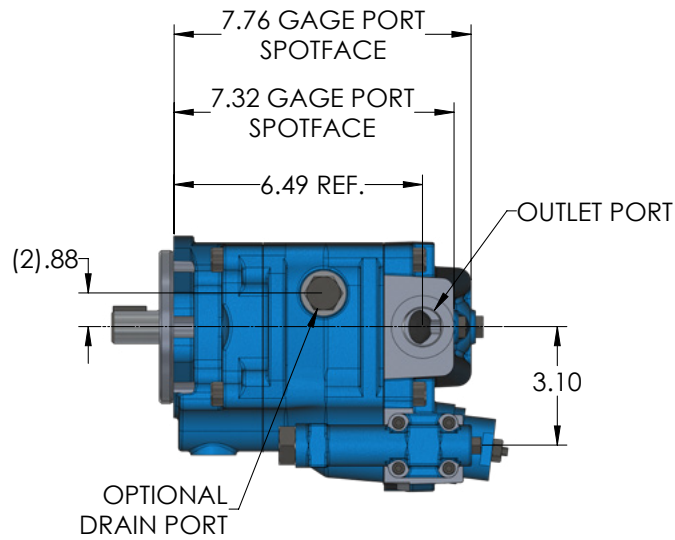
26 0 No paint
 A Blue (standard)

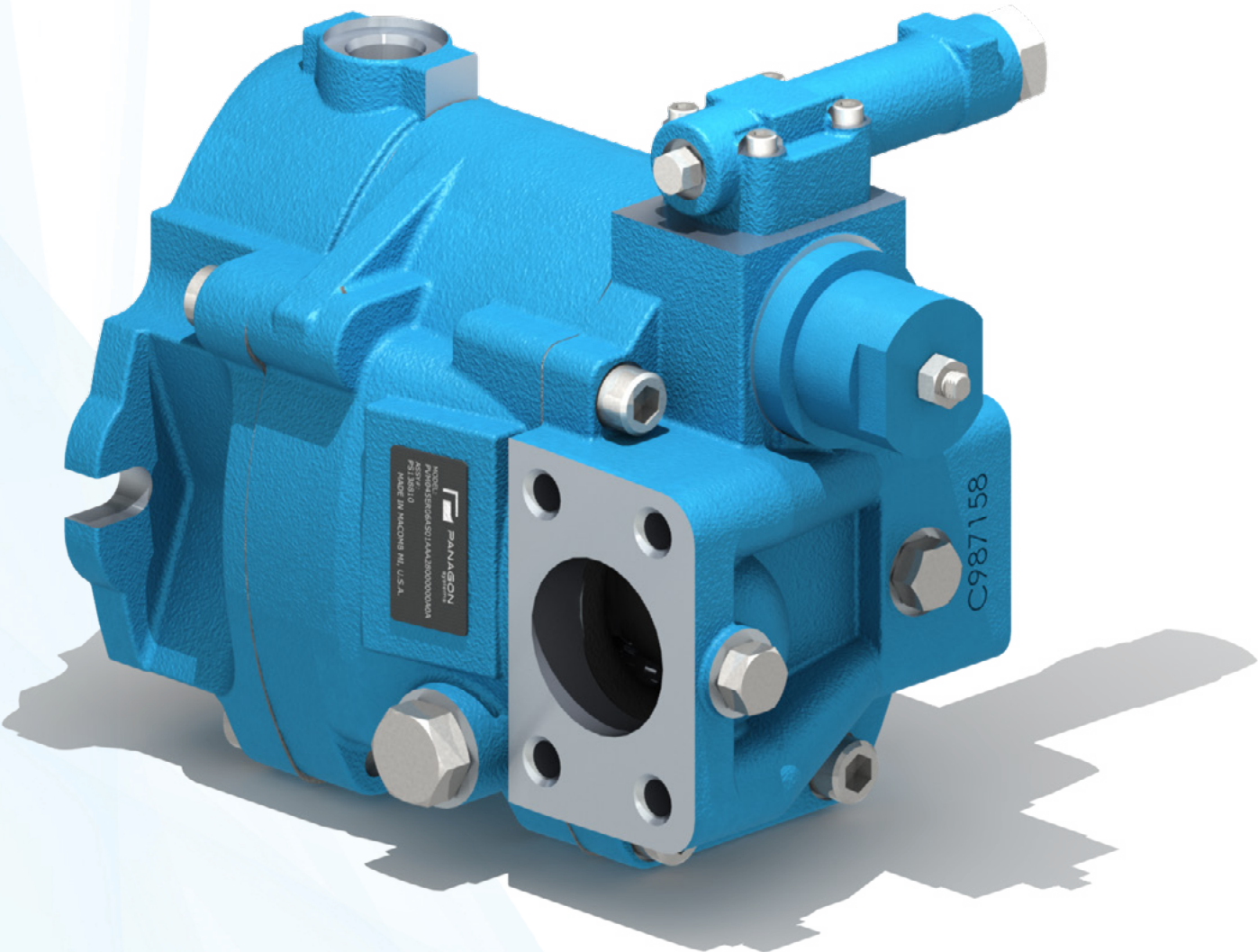
Customer Identification

27 0 None

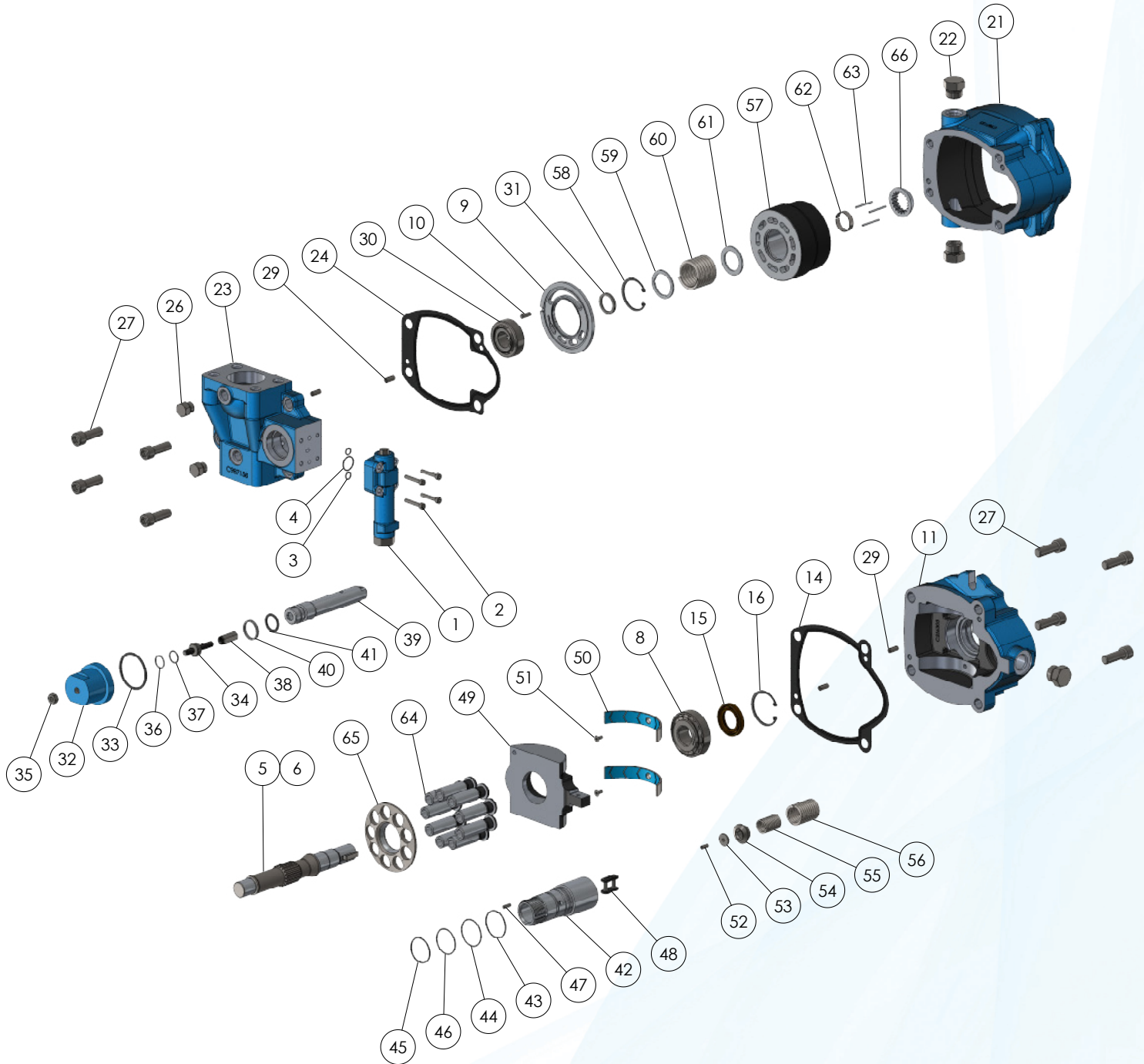
Design Code

28 A A (initial release)





Model PVM045/PVM050



Model PVM045/PVM050

ITEM	PART NUMBER		QTY	NOTE	DESCRIPTION
	Panagon	OEM			
1	See Table 1		1		Pressure Compensator
2	PS5813532	114953-030	4	A/G	Soc HD Cap Screw M5
3	PS5813533	104166-011	2	A/B/G	O-Ring
4	PS5813534	104166-017	1	A/B/G	O-Ring
5	See Table 2		1		Drive Shaft
6	See Table 2		1		Key
8	PS1335	419627	1	E	Bearing S/A
9	See Table 3		1		Valve Plate
10	PS5813578	114997-004	1		Pin (Valve Plate)
11	See Table 4		1		Mounting Flange
14	PS5811571	932915	1	B	Flange Gasket
15	PS136809	626933	1	B/F	Shaft Seal
16	PS1299	101680-175	1	B/F	Retaining Ring
21	See Table 5		1		Housing
22	See Table 5		2		O-Ring Plug S/A
23	See Table 6		1		Valve Block
23	See Table 7		1		Valve Block Thru Drive
24	PS5811572	932916	1	B	Valve Block Gasket
26	PS5810893	115046-006	2		O-Ring Plug S/A
27	PS5813580	114977-035	3		Soc HD Cap Screw M12
29	PS576922	96201-062	4		Roll Pin
30	PS1834	473914	1	E	Bearing S/A
31	PS5813581	4992184-xxx			Shaft Spacer
32	PS5813582	934286	1		Control Cap
33	PS135764	115016-224	1	B	O-Ring
34	PS5813584	934287	1		Adjustment Screw
35	PS5813547	4992732-001	1		Jam Nut
36	PS5811360	8770-015	1	B	Back-Up Ring
37	PS5811361	104166-015	1	B	O-Ring
38	PS5813586	934340	1		Hex Stop
39	PS5813587	932919	1		Control Piston
40	PS5813588	932924	1	B	Glide Ring
41	PS5813589	104166-210	1	B	O-Ring
42	PS5813590	932920	1		Sleeve
43	PS134896	114998-028	1	B	Back-Up Ring
44	PS5813592	104166-028	1	B	O-Ring
45	PS134889	114998-027	1	B	Back-Up Ring
46	PS5813594	104166-027	1	B	O-Ring
47	PS7	95902-050	1		Pin
48	PS5813558	932921	1		Chain Link

ITEM	PART NUMBER		QTY	NOTE	DESCRIPTION
	Panagon	OEM			
49	PS5800744	932918	1		Swashplate
50	PS576968	937055	2	D	Cradle Bearing
51	PS3199	114995-010	2	D	Screw Socket Flat Head
52	PS8097	16026-608	1	D	Pin
53	PS8096	409998	1	D	Button
54	PS5813598	934189	1	D	Spring Seat
55	PS5813599	932928	1		Inner Bias Spring
56	PS5813600	932929	1		Outer Bias Spring
57	PS5813601	932930	1	C/L	Cylinder Block (50)
57	PS137545	933028	1	C/K	Cylinder Block (45)
58	PS7146	101680-162	1	C	Retaining Ring
59	PS1925	423368	1	C	Spring Guide, Outer
60	PS1919	402579	1	C	Spring
61	PS1923	404932	1	C	Spring Guide, Inner
62	PS1928	410050	1	C	Pin Retainer
63	PS5813603	114996-006	3	C	Pin
64	PS576465	415621	9	C/K	Piston Shoe S/A (45)
64	PS5813605	02-328123	9	C/L	Piston Shoe S/A (50)
65	PS1301	402650	1	C/K	Shoe Retainer
66	PS1300	402580	1	C/K	Ballguide
69	See Table 7		1		Adapter
70	PS5813607	114976-025	3		Screw
71	PS5813608	104166-155	1	B	O-Ring, Adapter
72	PS5813500	104166-152	1	B	O-Ring, Valve Block
73	See Table 8		1		Coupling
74	See Table 8		1		Retaining Ring

A Available in control kit. See Table 1

B Available in seal kit PS116617 / 02-346161.

C Available in rotating group kit PS137571 / 02-346162 for PVM045 or rotating group kit PS137560 / 02-346172 for PVM050

D Available in yoke and saddle bearing kit PS137583 / 02-346163.

E Available in shaft bearing kit PS5816613 / 02-346164.

F Available in single shaft seal kit PS137577 / 02-346166. Equivalent double shaft seal kit PS5817658 / 02-346167.

G Available in control mounting kit PS5817659 / 9900104-000.

K For PVM045 only.

L For PVM050 only.

Model PVM045/PVM050

Table 1 - Pressure Compensator				
Model Code		Panagon	OEM	
13,14	17,18,19	20,21	1	
All	A28	00	PS137537	02-345631
All	A07	00	PS5813843	02-345629
01/02	B28	11	PS137538	02-345594
01/02	C28	11	PS137539	02-345596
01/02	B28	24	PS5813844	02-345598
01/02	C28	24	PS5813845	02-345600
01/02	B07	11	PS5813847	02-345601
01/02	C07	11	PS5813848	02-345602
01/02	B07	24	PS5813849	02-345603
01/02	C07	24	PS5813850	02-345604
03/04	B28	11	PS5813851	02-345606
03/04	C28	11	PS5813852	02-345608
03/04	B28	24	PS5813853	02-345610
03/04	C28	24	PS5813854	02-345612
03/04	B07	11	PS5813855	02-345613
03/04	C07	11	PS5813856	02-345614
03/04	B07	24	PS5813857	02-345615
03/04	C07	24	PS5813858	02-345616
05	B28	11	PS5813860	02-345618
05	C28	11	PS5813861	02-345620
05	B28	24	PS5813862	02-345622
05	C28	24	PS5813863	02-345624
05	B07	11	PS5813864	02-345625
05	C07	11	PS5813865	02-345626
05	B07	24	PS5813866	02-345627
05	C07	24	PS5813867	02-345628

Table 2 - Shaft and Key							
Model Code		Panagon	OEM	Panagon	OEM	Panagon	OEM
9,10	11	25	5		6		7
05	C	O	PS137792	934380	PS5813686	22971	-
06	C	O	PS137805	934381	PS1456	58303	PS5817646 96098-100
07	C	O	PS137810	934382	-	-	-
08	C	O	PS137801	932927	-	-	-
05	C	A/B/G/H	PS137790	934391	PS5813686	22971	-
06	C	A/B/G/H	PS5813681	934392	PS1456	58303	PS5817646 96098-100
07	C	A/B/G/H	PS5813682	934393	-	-	-
08	C	A/B/G/H	PS137800	394394	-	-	-

Table 3 - Control Plate				
Model Code		Panagon	OEM	
4,5,6	7,8	9		
045	ER	PS137890	932922	
045	MR	PS137891	932925	
045	EL	PS5813688	934275	
045	ML	PS137645	934276	
050	ER	PS5813689	934280	
050	MR	PS5813690	933027	
050	EL	PS5813691	934278	
050	ML	PS5813692	934277	

Table 8 - Coupling					
Model Code		Panagon	OEM	Panagon	OEM
25	REF	73		74	
A	A9	PS137543	937238	-	-
B	A11	PS5814049	937236	-	-
C	B13	PS137541	937237	PS5814050	115015-078
D	B15	PS137542	943792	PS5814050	115015-078
G	MA9	PS137543	937238	-	-
H	MA11	PS5814049	937236	-	-
J	MB13	PS137541	937237	PS5814050	115015-078
K	MB15	PS137542	943792	PS5814050	115015-078

Table 4 - Mounting Flange				
Model Code		Panagon	OEM	
11	13,14	15,16	11	
C	01/02	00/AA/AC	PS5813931	932914
C	01/02	AB/AD	PS5813932	934397
C	03/04	00/AA/AC	PS5813933	943776
C	03/04	AB/AD	PS5813934	943775
C	05	00/AA/AC	PS5813935	934399
C	05	AB/AD	PS5813936	934400
D	01/02	00/AA/AC	PS5813937	943821
D	01/02	AB/AD	PS5813938	943822
D	03/04	00/AA/AC	PS5813939	943274
D	03/04	AB/AD	PS5813940	934398
D	05	00/AA/AC	PS5813941	943773
D	05	AB/AD	PS5813942	943774

Table 5 - Housing					
Model Code		Panagon	OEM	Panagon	OEM
13,14	02	21	22		
01	PS5814090	932912	-	-	-
04	PS5814091	934273	-	-	-
03	PS5814091	934273	-	-	-
05	PS5814092	934401	PS5817638	49929447-001	-

Table 7 - Valve Block TD							
Model Code		Panagon	OEM	Panagon	OEM	Panagon	OEM
8	12,13,14	25	23		26		69
R	01	A/B	PS5814146	934301	PS5810893	115046-006	-
R	02	A/B	PS137868	934238	PS5810893	115046-006	-
R	03	A/B	PS5814147	934359	PS5814135	115050-022	-
R	04	A/B	PS5814148	934269	PS5814135	115050-022	-
R	05	A/B	PS5814149	934363	PS5817645	4992947-002	-
R	03	G/H	PS5814150	934365	PS5814135	115050-022	-
R	04	G/H	PS5814151	934364	PS5814135	115050-022	-
R	05	G/H	PS5814152	934366	PS5817645	4992947-002	-
R	01	C/D	PS5814146	934301	PS5810893	115046-006	PS137316 934294
R	02	C/D	PS137868	934238	PS5810893	115046-006	PS137316 934294
R	03	C/D	PS5814147	934359	PS5814135	115050-022	PS137316 934294
R	04	C/D	PS5814148	934269	PS5814135	115050-022	PS137316 934294
R	05	C/D	PS5814149	934363	PS5817645	4992947-002	PS5814161 934402
R	03	J/K	PS5814150	934365	PS5814135	115050-022	PS5814161 934402
R	04	J/K	PS5814151	934364	PS5814135	115050-022	PS5814161 934402
R	05	J/K	PS5814152	934366	PS5817645	4992947-002	PS5814161 934402
L	01	A/B	PS5814153	934370	PS5810893	115046-006	-
L	02	A/B	PS5814154	934271	PS5810893	115046-006	-
L	03	A/B	PS5814155	934372	PS5814135	115050-022	-
L	04	A/B	PS5814156	934272	PS5814135	115050-022	-
L	05	A/B	PS5814157	934375	PS5817645	4992947-002	-
L	03	G/H	PS5814158	934377	PS5814135	115050-022	-
L	04	G/H	PS5814159	934376	PS5814135	115050-022	-
L	05	G/H	PS5814160	934378	PS5817645	4992947-002	-
L	01	C/D	PS5814153	934370	PS5810893	115046-006	PS137316 934294
L	02	C/D	PS5814154	934271	PS5810893	115046-006	PS137316 934294
L	03	C/D	PS5814155	934372	PS5814135	115050-022	PS137316 934294
L	04	C/D	PS5814156	934272	PS5814135	115050-022	PS137316 934294
L	05	C/D	PS5814157	934375	PS5817645	4992947-002	PS5814161 934402
L	03	J/K	PS5814158	934377	PS5814135	115050-022	PS5814161 934402
L	04	J/K	PS5814159	934376	PS5814135	115050-022	PS5814161 934402
L	05	J/K	PS5814160	934378	PS5817645	4992947-002	PS5814161 934402

Table 6 - Valve Block					
Model Code		Panagon	OEM	Panagon	OEM
8	12,13,14	23		26	
R	S01	PS5814032	934254	PS5810893	115046-006
R	S02	PS137881	932909	PS5810893	115046-006
L	S01	PS137897	934257	PS5810893	115046-006
L	S02	PS5814033	934261	PS5810893	115046-006
R	S03	PS5814034	934255	PS5814135	115050-022
R	S04	PS5814035	934259	PS5814135	115050-022
L	S03	PS5814036	934258	PS5814135	115050-022
L	S04	PS5814037	934262	PS5814135	115050-022
R	E01	PS5814038	934355	PS5810893	115046-006
R	E02	PS5814039	934264	PS5810893	115046-006
L	E01	PS5814040	934367	PS5810893	115046-006
L	E02	PS5814041	934267	PS5810893	115046-006
R	E03	PS5814042	934357	PS5814135	115050-022
R	E04	PS5814043	934263	PS5814135	115050-022
L	E03	PS5814044	934369	PS5814135	115050-022
L	E04	PS5814045	934268	PS5814135	115050-022
R	S05	PS5817639	934360	PS5817645	4992947-002
R	E05	PS5817640	934361	PS5817645	4992947-002
L	S05	PS5817641	934373	PS5817645	4992947-002
L	E05	PS5817642	934374	PS5817645	4992947-002

Model PVM045/PVM050

P V M 0 4 5 E R 0 6 C S 0 1 A A A 2 8 0 0 0 0 0 0 A 0 A
1 2 3 4 5 6 7 8 9 10 11 12 13 14 15 16 17 18 19 20 21 22 23 24 25 26 27 28

123 Pump Series

PVM M-Series variable piston pump

456 Displacement

045 45.1 cm³/rev (2.75 in³/rev) 280 bar
 050 50.0 cm³/rev (3.00 in³/rev) 230 bar

7 Valve Plate

E Industrial (1800 rpm max)
 M Mobile equipment speeds

8 Input Rotation

R Clockwise (righthand)
 L Counterclockwise (lefthand)

9 10 Input Shaft

05 SAE J744-22-1 B straight key
 06 SAE J744-25-1 B-B straight key
 07 SAE J744-22-4 B 13T spline
 08 SAE J744-25-4 B-B 15T spline

11 Mounting Flange

C SAE J744-101-2 (SAE B 2 bolt)

12 Main Port Location

E End (na on thru drive)
 S Side

13 14 Main Port Type

01 SAE J514 tube ports
 02 SAE J518 flange ports
 03 ISO 6149-1 tube ports
 04 ISO 6162 flange ports

15 16 Pump Special Features

00 None (single shaft seal)
 AA Adjustable maximum displacement stop and single shaft seal (standard)
 AB Double shaft seal, two way
 AD Adjustable maximum displacement stop and double shaft seal

17 Control

0 None
 A Pressure compensator
 B Pressure and flow compensator with bleed orifice
 C Pressure and flow compensator with plugged orifice

18 19 Pressure Comp Setting

00 None
 07 66-74 bar (957-1073 psi)
 23 227-234 bar (3277-3393 psi) 050 cm³/rev
 28 276-284 bar (4002-4118 psi) 045 cm³/rev

20 21 Flow Comp Setting

00 None
 11 10-11 bar (145-174 psi)
 20 19-21 bar (275.5-304.5 psi)
 24 23-25 bar (333.5-362.5 psi)

22 23 Torque Limiter Setting

00 None

24 Compensator Special Features

0 None

25 Auxiliary Mounting Pad

0 None
 A SAE A 2 bolt 9T spline
 B SAE A 2 bolt 11T spline
 C SAE B 2/4 bolt 13T spline
 D SAE B 2/4 bolt 15T spline

26 Paint

0 No paint
 A Blue (standard)

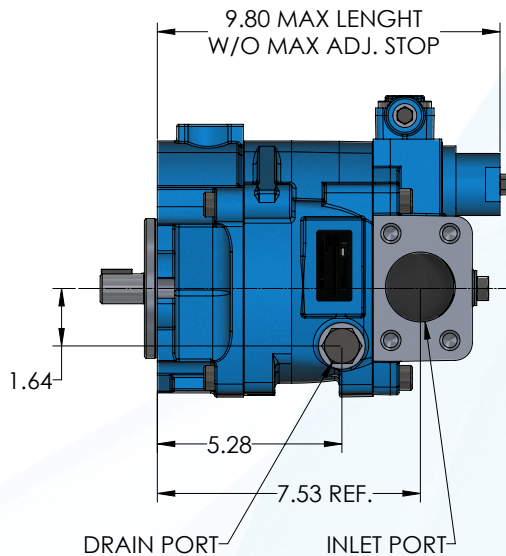
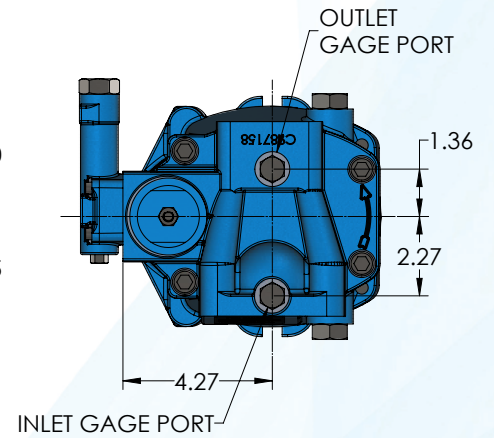
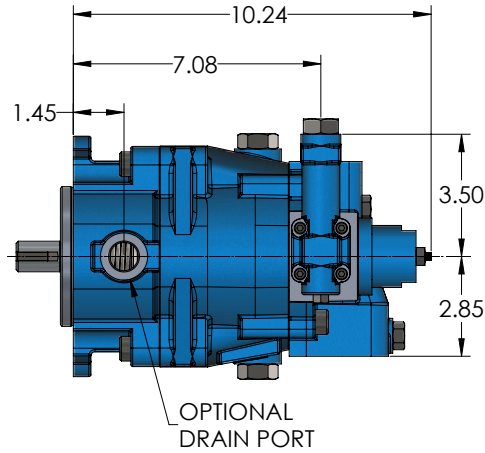
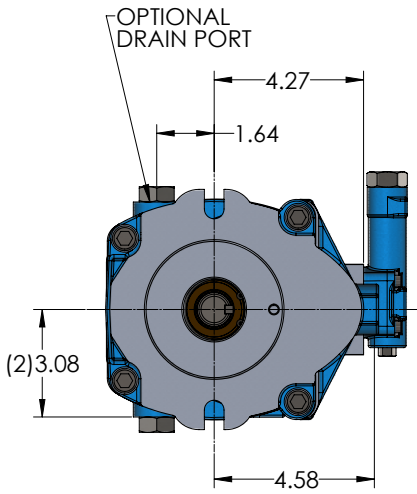
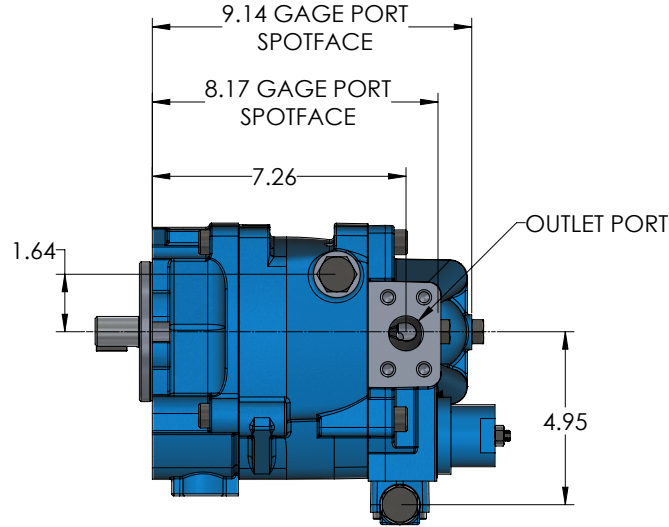
27 Customer Identification

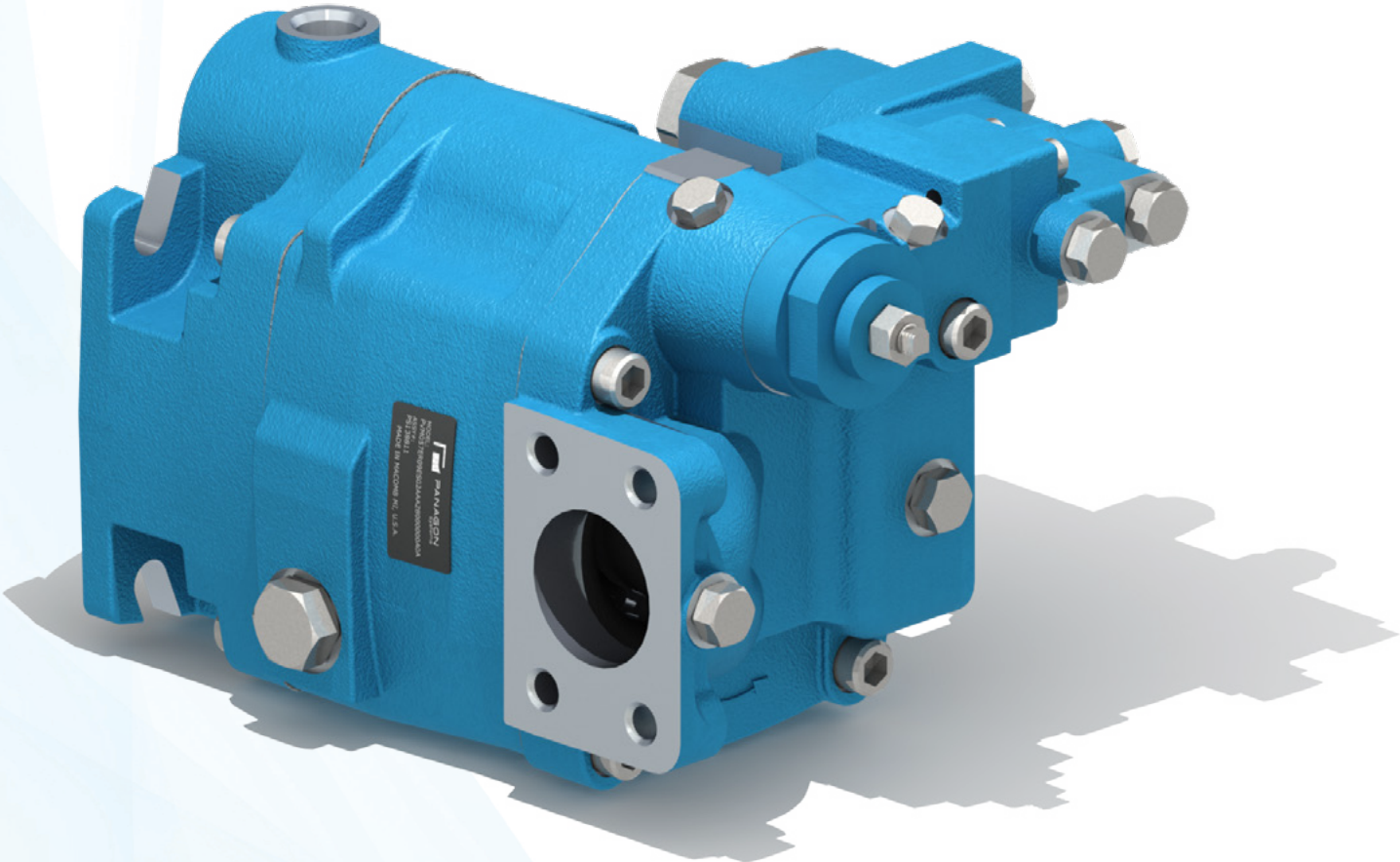
0 None

28 Design Code

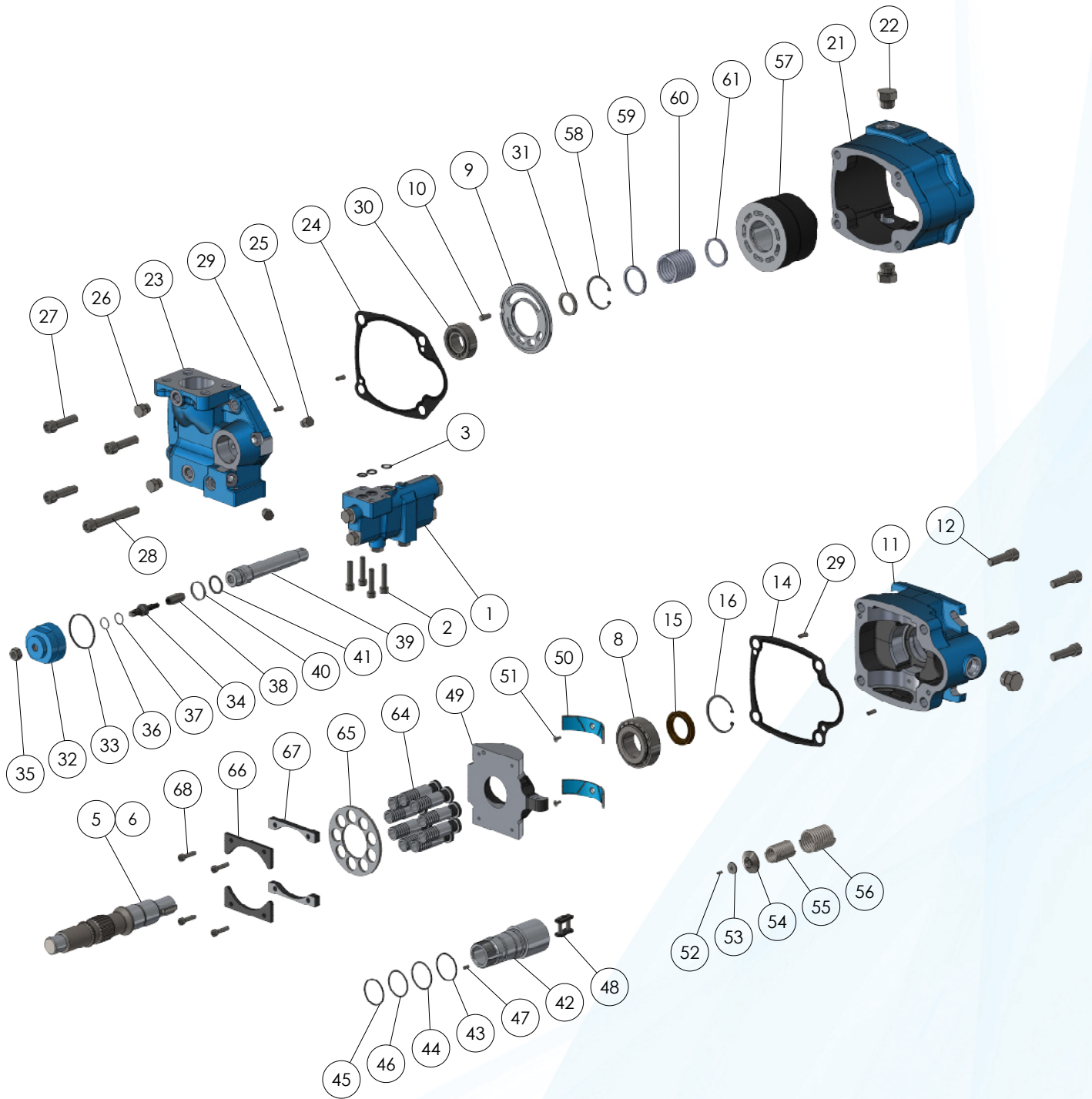
A A (initial release)

Model PVM045/PVM050





Model PVM057/PVM063



Model PVM057/PVM063

ITEM	PART NUMBER		QTY	NOTE	DESCRIPTION
	Panagon	OEM			
1	See Table 1		1		Pressure Compensator
2	PS3259	114975-035	4	A/G	Soc HD Cap Screw M8
3	PS135119	4992737-111	3	A/B/G	O-Ring
5	See Table 2		1		Drive Shaft
6	See Table 2		1		Key
8	PS115309	02-334757	1	E	Bearing S/A
9	See Table 3		1		Valve Plate
10	PS5571	95904-068	1		Pin (Valve Plate)
11	See Table 4		1		Mounting Flange
12	PS5813518	114977-040	4		Soc HD Cap Screw M12
14	PS5811573	934445	1	B	Flange Gasket
15	PS136803	513439	1	B/F	Shaft Seal
16	PS5901	101680-200	1	B/F	Retaining Ring
17	PS5813627	934058	1		Seal Collar
18	PS5813628	101680-300	1		Retaining Ring
19	PS5813629	104166-040			O-Ring
21	See Table 5		1		Housing
22	See Table 5		2		O-Ring Plug S/A
23	See Table 6		1		Valve Block
23	See Table 7		1		Valve Block Thru Drive
24	PS5811574	934444	1	B	Valve Block Gasket
25	PS5813630	16103-104	2		O-Ring Plug S/A
26	PS5810893	115046-006	2		O-Ring Plug S/A
27	PS5813631	114977-045	3		Soc HD Cap Screw M12
28	PS5813632	114977-090	1		Soc HD Cap Screw M12
29	PS576922	96201-062	4		Roll Pin
30	PS5800946	02-328741	1	E	Bearing S/A
31	PS5813633	4992188-xxx			Shaft Spacer
32	PS5813634	943930	1		Control Cap
33	PS5813635	934580	1	B	O-Ring
34	PS5813636	943985	1		Adjustment Screw
35	PS576924	4992732-002	1		Jam Nut
36	PS5811360	8770-015	1	B	Back-Up Ring
37	PS5811361	104166-015	1	B	O-Ring
38	PS5813637	937407	1		Hex Stop
39	PS5812110	934052	1		Control Piston
40	PS5813638	934489	1	B	Glide Ring
41	PS5816627	104166-211	1	B	O-Ring
42	PS5812111	934053	1		Sleeve
43	PS5813639	115000-127	1	B	Back-Up Ring
44	PS5813640	104166-127	1	B	O-Ring
45	PS5813641	114998-126	1	B	Back-Up Ring

ITEM	PART NUMBER		QTY	NOTE	DESCRIPTION
	Panagon	OEM			
46	PS5813642	104166-126	1	B	O-Ring
47	PS7	16028-303	1		Pin
48	PS5813644	934493	1		Chain Link
49	PS577092	934086	1		Swashplate
50	PS577726	943984	2	D	Cradle Bearing
51	PS3199	114995-010	2	D	Screw Socket Flat Head
52	PS8097	95749-038	1	D	Pin
53	PS8096	409998	1	D	Button
54	PS577459	934429	1	D	Spring Seat
55	PS5813646	937489	1		Inner Bias Spring
56	PS577458	937488	1		Outer Bias Spring
57	PS137546	934405	1	C/K	Cylinder Block (57)
57	PS577725	934553	1	C/L	Cylinder Block (63)
58	PS1299	101680-175	1	C	Retaining Ring
59	PS1305	584524	1	C	Spring Guide, Outer
60	PS1306	627524	1	C	Spring
61	PS1307	680624	1	C	Spring Guide, Inner
64	PS113959	02-306362	9	C/K	Piston Shoe S/A (57)
64	PS137634	02-306363	9	C/L	Piston Shoe S/A (63)
65	PS1304	584512	1	C/K	Shoe Retainer (57)
65	PS577131	860754	1	C/K	Shoe Retainer (63)
66	PS1309	690218	2	C	Hold Down Straps
67	PS5890	690801	2	C	Spacer
68	PS5817644	114975-025	4	C	Screw
69	See Table 7		1		Adapter
70	PS5813649	114977-025	3		Screw
71	See Table 7		1	B	O-Ring, Adapter
72	See Table 7		1	B	O-Ring, Valve Block
73	See Table 8		1		Coupling

- A Available in control kit. See Table 1.
- B Available in seal kit PS137572 / 02-346217.
- C Available in rotating group kit PS1171 / 02-346216 for PVM057 or rotating group kit PS137561 / 02-346224 for PVM063
- D Available in yoke and saddle bearing kit PS137585 / 02-346219.
- E Available in shaft bearing kit PS137574 / 02-346220.
- F Available in single shaft seal kit PS137578 / 02-346222. Equivalent double shaft seal kit PS5817657 / 02-346223.
- G Available in control mounting kit PS5817652 / 9900105-000.
- K For PVM057 only.
- L For PVM063 only.

Model PVM057/PVM063

Table 1 - Pressure Compensator				
Model Code		Panagon	OEM	
13,14 17,18,19 20,21			1	
All	A28 00	PS3247	02-125160	
All	A07 00	PS3248	02-125162	
01/02	B28 11	PS5813808	02-346306	
01/02	B28 24	PS103879	02-160591	
01/02	C07 24	PS3250	02-306056	
01/02	C28 11	PS5813809	02-346305	
01/02	C28 24	PS3249	02-125161	
03/04	B07 11	PS5813810	02-347729	
03/04	B08 24	PS5813810	02-347729	
03/04	B28 11	PS5813812	02-347730	
03/04	B28 24	PS5813813	02-347727	
03/04	C28 11	PS5813814	02-346307	
03/04	C28 24	PS137556	02-346308	

Table 2 - Shaft and Key						
Model Code		Panagon	OEM		Panagon	OEM
9,10 11 25			5		6	
06	C O	PS5813730	937011	PS5813742	4992727-003	
07	C O	PS5813731	934574	-	-	
08	C O	PS5813732	937009	-	-	
09	E/G O	PS137791	937008	PS1978	114516	
11	E/G O	PS5813733	934338	-	-	
17	E/G O	PS5813734	937044	PS5813742	4992727-003	
18	E/G O	PS5813735	937050	PS5813781	4992727-001	
06	C A - M	PS5813736	937382	-	-	
07	C A - M	PS5813737	937383	-	-	
08	C A - M	PS5813738	937384	-	-	
09	E/G A - M	PS577109	937380	-	-	
11	E/G A - M	PS5813739	937051	-	-	
17	E/G A - M	PS5813740	939386	-	-	
18	E/G A - M	PS5813741	937385	-	-	

Table 6 - Valve Block				
Model Code		Panagon	OEM	
8 12,13,14			23	
R	S02	PS5813956	934088	
R	S04	PS5813957	937208	
L	S02	PS5813958	937209	
L	S04	PS5813959	937210	
R	E01	PS5813960	937375	
R	E02	PS5813961	937211	
R	E03	PS5813962	937376	
R	E04	PS5813963	937248	
L	E01	PS5813964	937377	
L	E02	PS5813965	934236	
L	E03	PS5813966	937144	
L	E04	PS5813967	937213	

Table 8 - Coupling				
Model Code		Panagon	OEM	
25 REF			73	
A	A9	PS5922	526682	
B	A11	PS5814140	998637	
C	B13	PS5923	526694	
D	B15	PS85078	526695	
E	C14	PS7235	526696	
G	MA11	PS5814140	998637	
J	MB15	PS85078	526695	
L	MC14	PS7235	526696	

Table 5 - Housing				
Model Code		Panagon	OEM	
13,14			22	
01		PS5814088	934090	PS576917 115046-010
02		PS5814088	934090	PS576917 115046-010
03		PS5814089	934599	PS5814135 115050-022
04		PS5814089	934599	PS5814135 115050-022

Table 3 - Control Plate				
Model Code		Panagon	OEM	
4,5,6 7,8			9	
057	ER	PS137887	943806	
057	MR	PS5813724	943970	
057	EL	PS5813725	943971	
057	ML	PS5813726	943972	
063	ER	PS137647	943973	
063	MR	PS5813727	943974	
063	EL	PS5813728	943975	
063	ML	PS5813729	943976	

Table 7 - Valve Block TD						
Model Code		Panagon	OEM		Panagon	OEM
8 12,13,14 25			23		69	
R	02 A/B	PS577076	934251	-	-	PS135407 576601
R	02 C/D	PS577076	934251	PS137311	934296	PS135428 401525 PS135407 576601
R	02 E/F	PS577076	934251	PS137312	934298	PS5800291 353264 PS135407 576601
R	04 A/B	PS5814136	937257	-	-	PS135407 576601
R	04 C/D	PS5814136	937257	PS5813511	934567	PS135428 401525 PS135407 576601
R	04 E/F	PS5814136	937257	PS5813512	934569	PS5800291 353264 PS135407 576601
R	04 G/H	PS5814137	937378	-	-	PS5813517 943809
R	04 J/K	PS5814136	937257	PS5813513	934568	PS5813515 943810 PS5813517 943809
R	04 L/M	PS5814136	937257	PS5813514	934570	PS5813516 943811 PS5813517 943809
L	02 A/B	PS5814138	937258	-	-	PS135407 576601
L	02 C/D	PS5814138	937258	PS137311	934296	PS135428 401525 PS135407 576601
L	02 E/F	PS5814138	937258	PS137312	934298	PS5800291 353264 PS135407 576601
L	04 A/B	PS5814139	937259	-	-	PS135407 576601
L	04 C/D	PS5814139	937259	PS5813511	934567	PS135428 401525 PS135407 576601
L	04 E/F	PS5814139	937259	PS5813512	934569	PS5800291 353264 PS135407 576601
L	04 G/H	PS5814139	937259	-	-	PS5813517 943809
L	04 J/K	PS5814139	937259	PS5813513	934568	PS135428 401525 PS5813517 943809
L	04 L/M	PS5814139	937259	PS5813514	934570	PS5800291 353264 PS5813517 943809

Table 4 - Mounting Flange				
Model Code		Panagon	OEM	
11 13,14 15,16			11	
C	01/02 00/AA/AC	PS5813881	934159	
C	01/02 AB/AD	PS5813882	937286	
C	03/04 00/AA/AC	PS5813883	937323	
C	03/04 AB/AD	PS5813884	937324	
D	03/04 00/AA/AC	PS5813885	937287	
D	03/04 AB/AD	PS5813886	937288	
E	01/02 00/AA/AC	PS5813887	937278	
E	01/02 AB/AD	PS5813888	937289	
E	03/04 00/AA/AC	PS5813889	937325	
E	03/04 AB/AD	PS5813890	937326	
F	03/04 00/AA/AC	PS5813891	937290	
F	03/04 AB/AD	PS5813892	937291	
G	01/02 00/AA/AC	PS5813893	934087	
G	01/02 AB/AD	PS5813894	934417	
G	03/04 00/AA/AC	PS5813895	937327	
G	03/04 AB/AD	PS5813896	937328	
H	03/04 00/AA/AC	PS5813897	937001	
H	03/04 AB/AD	PS5813898	937002	

Model PVM057/PVM063

P V M 0 5 7 E R 0 9 E S 0 2 A A A 2 8 0 0 0 0 0 0 A 0 A
 1 2 3 4 5 6 7 8 9 10 11 12 13 14 15 16 17 18 19 20 21 22 23 24 25 26 27 28

123 **Pump Series**

PVM M-Series variable piston pump

456 **Displacement**

057 57.4 cm³/rev (3.50 in³/rev) 280 bar
 063 63.1 cm³/rev (3.85 in³/rev) 230 bar

7 **Valve Plate**

E Industrial (1800 rpm max)
 M Mobile equipment speeds

8 **Input Rotation**

R Clockwise (right hand)
 L Counterclockwise (left hand)

9 10 **Input Shaft**

05 SAE J744-22-1 B straight key
 06 SAE J744-25-1 B-B straight key
 07 SAE J744-22-4 B 13T spline
 08 SAE J744-25-4 B-B 15T spline
 09 SAE J744-32-1 C straight key
 10 SAE J744-38-1 C-C straight key
 11 SAE J744-32-4 14T spline
 12 SAE J744-38-4 C-C 17T spline

11 **Mounting Flange**

C SAE J744-101-2 (SAE B 2 bolt)
 E SAE J744-127-2 (SAE C 2 bolt)
 G SAE J744-127-4 (SAE C 4 bolt)

12 **Main Port Location**

E End (na on thru drive)
 S Side

13 14

Main Port Type

01 SAE J514 tube ports
 02 SAE J518 flange ports
 03 ISO 6149-1 tube ports
 04 ISO 6162 flange ports

15 16

Pump Special Features

00 None (single shaft seal)
 AA Adjustable maximum displacement stop and single shaft seal (standard)
 AB Double shaft seal, two way
 AD Adjustable maximum displacement stop and double shaft seal

17 **Control**

0 None
 A Pressure compensator
 B Pressure and flow compensator with bleed orifice
 C Pressure and flow compensator with plugged orifice

18 19 **Pressure Comp Setting**

00 None
 07 66-74 bar (957-1073 psi)
 23 227-234 bar (3277-3393 psi) 063 cm³/rev
 28 276-284 bar (4002-4118 psi) 057 cm³/rev

20 21 **Flow Comp Setting**

00 None
 11 10-11 bar (145-174 psi)
 20 19-21 bar (275.5-304.5 psi)
 24 23-25 bar (333.5-362.5 psi)

22 23 **Torque Limiter Setting**

00 None

24 **Compensator Special Features**

0 None

25 **Auxiliary Mounting Pad**

0 None
 A SAE A 2 bolt 9T spline
 B SAE A 2 bolt 11T spline
 C SAE B 2/4 bolt 13T spline
 D SAE B-B 2/4 bolt 15T spline
 E SAE C 2/4 bolt 14T spline

26 **Paint**

0 No paint
 A Blue (standard)

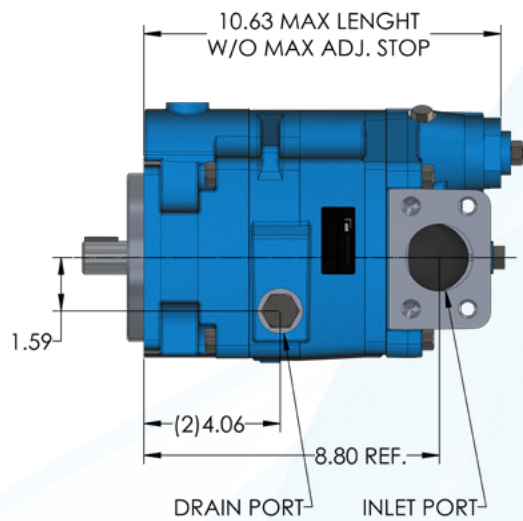
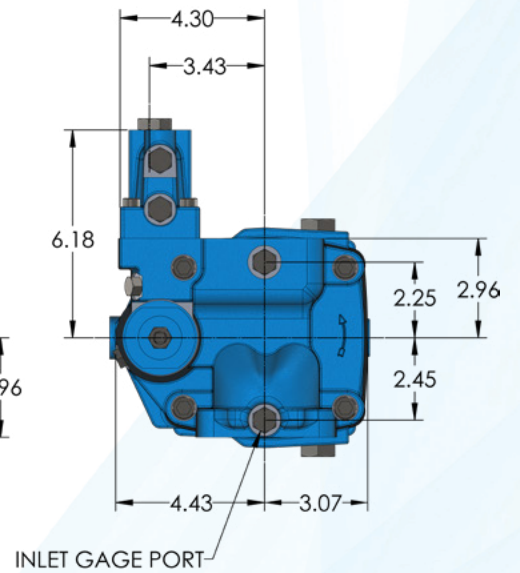
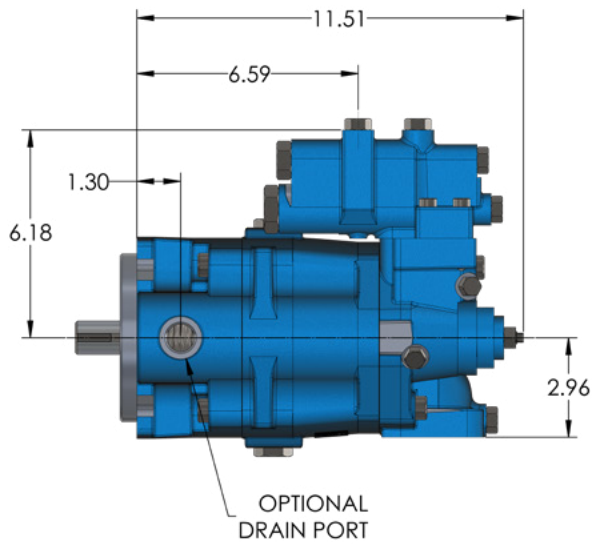
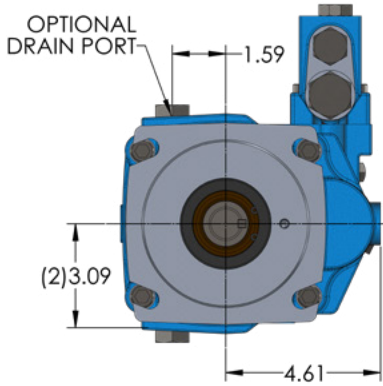
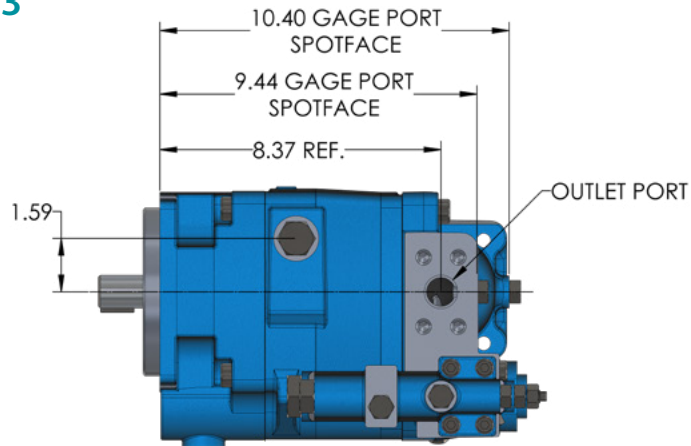
27 **Customer Identification**

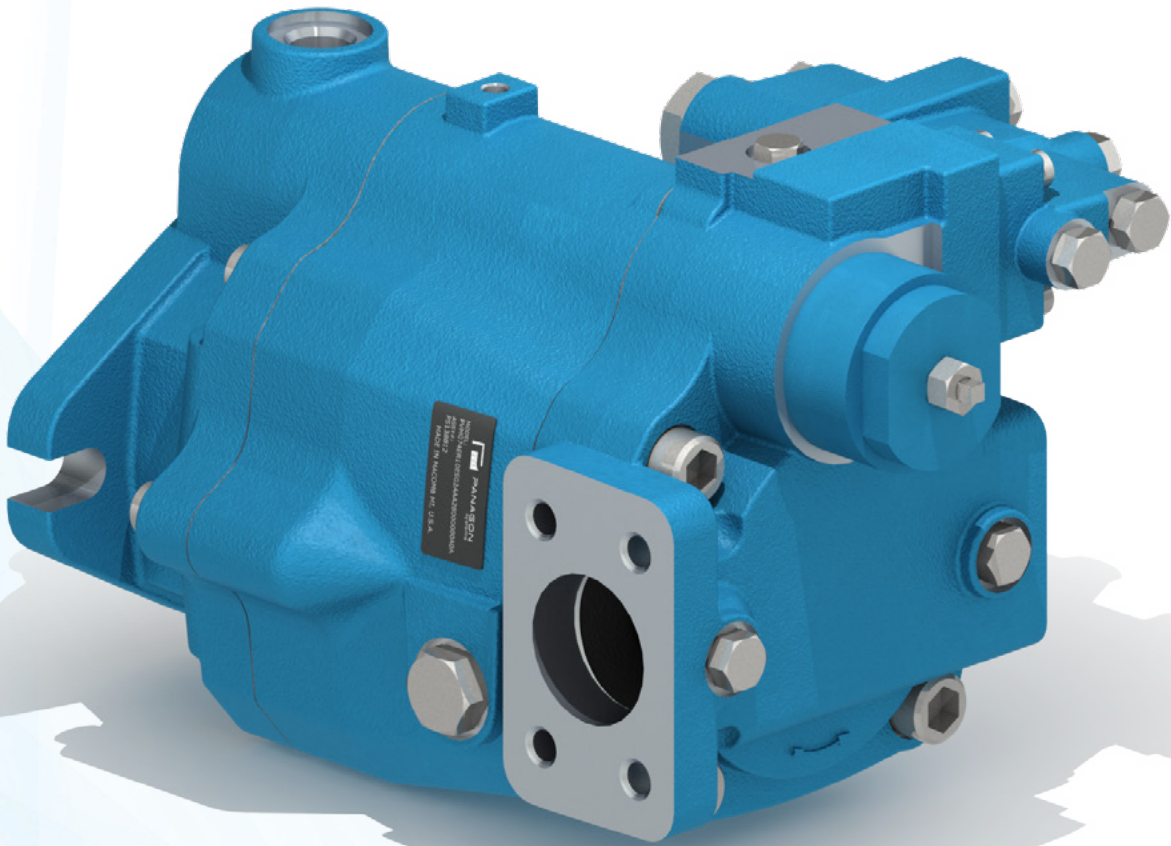
0 None

28 **Design Code**

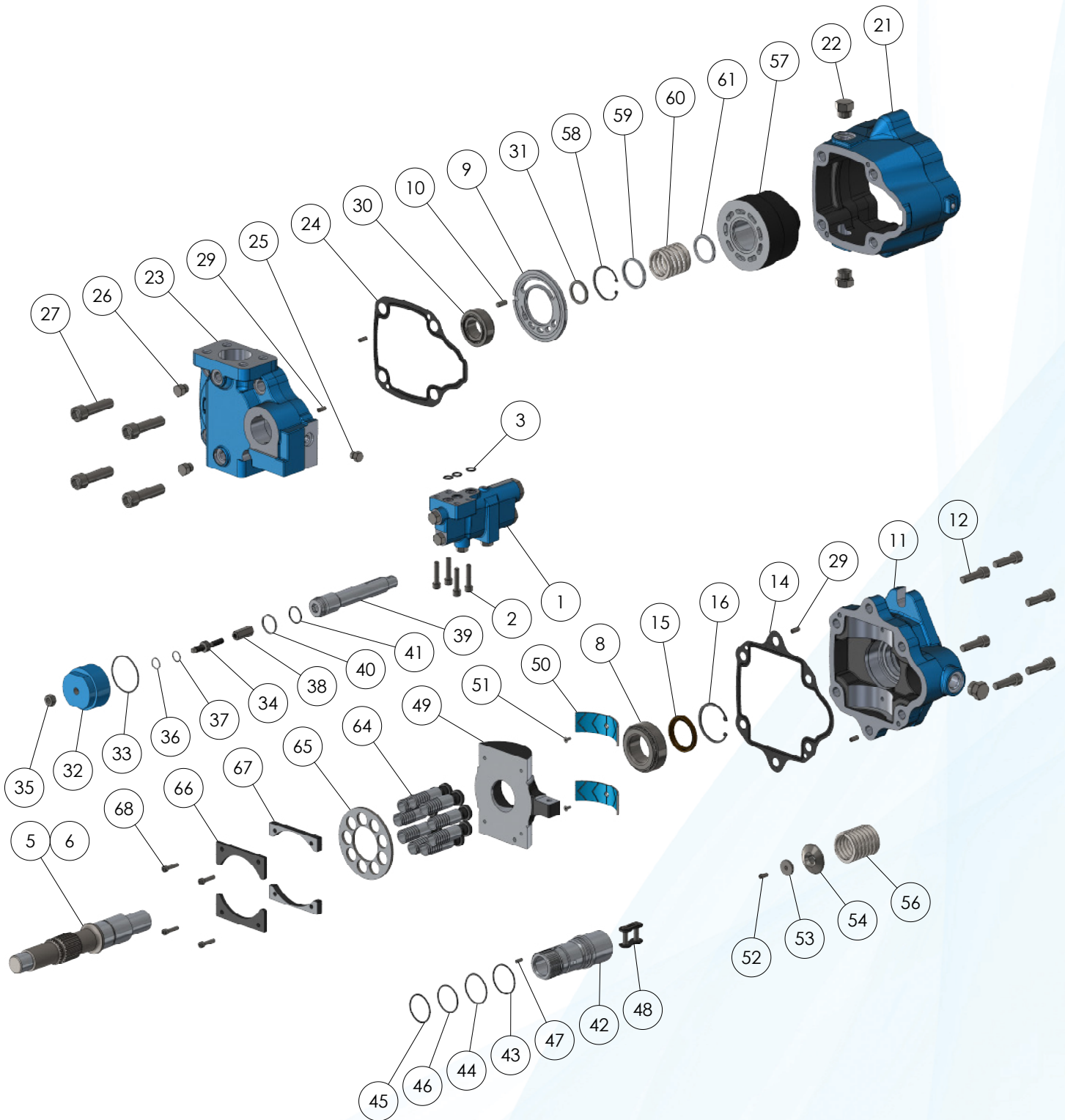
A A (initial release)

Model PVM057/PVM063





Model PVM074/PVM081



Model PVM074/PVM081

ITEM	PART NUMBER		QTY	NOTE	DESCRIPTION
	Panagon	OEM			
1	See Table 1		1		Pressure Compensator
2	PS3259	114975-035	4	A/G	Soc HD Cap Screw M8
3	PS135119	4992737-111	3	A/B/G	O-Ring
5	See Table 2		1		Drive Shaft
6	See Table 2		1		Key
8	PS5811594	02-334431	1	E	Bearing S/A
9	See Table 3		1		Valve Plate
10	PS5571	95904-068	1		Pin (Valve Plate)
11	See Table 4		1		Mounting Flange
12	PS5813518	114977-040	6		Soc HD Cap Screw M12
14	PS5811575	943362	1	B	Flange Gasket
15	PS577170	943427	1	B/F	Shaft Seal
16	PS1354	101680-225	1	B/F	Retaining Ring
21	See Table 5		1		Housing
22	PS576917	115046-010	2		O-Ring Plug S/A
23	See Table 6		1		Valve Block
23	See Table 7		1		Valve Block Thru Drive
24	PS5811576	943361	1	B	Valve Block Gasket
25	PS2254	115046-004	1		O-Ring Plug S/A
26	PS5810893	115046-006	2		O-Ring Plug S/A
27	PS5813522	114978-060	4		Soc HD Cap Screw M12
29	PS576922	96201-062	4		Roll Pin
30	PS5812867	02-334424	1	E	Bearing S/A
31	PS5813652	4992186-xxx			Shaft Spacer
32	PS5815372	943375	1		Control Cap
33	PS135309	4992737-138	1	B	O-Ring
34	PS5813653	943380	1		Adjustment Screw
35	PS576924	4992732-002	1		Jam Nut
36	PS5811360	8770-015	1	B	Back-Up Ring
37	PS5811361	104166-015	1	B	O-Ring
38	PS5813654	943381	1		Hex Stop
39	PS5813655	943364	1		Control Piston
40	PS5800737	943367	1	B	Glide Ring
41	PS5811362	104166-118	1	B	O-Ring
42	PS5813656	943363	1		Sleeve
43	PS5811372	115000-131	1	B	Back-Up Ring
44	PS5811363	104166-131	1	B	O-Ring
45	PS5811364	115000-129	1	B	Back-Up Ring
46	PS5811365	104166-129	1	B	O-Ring

ITEM	PART NUMBER		QTY	NOTE	DESCRIPTION
	Panagon	OEM			
47	PS7	95902-050	1		Pin
48	PS577654	943252	1		Chain Link
49	PS576608	943356	1		Swashplate
50	PS5800736	943378	2	D	Cradle Bearing
51	PS3199	114995-010	2	D	Screw Socket Flat Head
52	PS576922	96201-062	1	D	Pin
53	PS576938	933071	1	D	Button
54	PS5813659	943411	1	D	Spring Seat
56	PS5813660	943366	1		Outer Bias Spring
57	PS11956	943351	1	C/K	Cylinder Block (74)
57	PS5813661	943376	1	C/L	Cylinder Block (81)
58	PS5813662	101680-193	1	C	Retaining Ring
59	PS8318	631568	1	C	Spring Guide, Outer
60	PS1950	584454	1	C	Spring
61	PS1949	584483	1	C	Spring Guide, Inner
64	PS98924	02-305857	9	C/K	Piston Shoe S/A (74)
64	PS95737	02-306364	9	C/L	Piston Shoe S/A (81)
65	PS11958	584474	1	C/K	Shoe Retainer
66	PS1946	690796	2	C	Hold Down Straps
67	PS5975	526639	2	C	Spacer
68	PS1969	114974-025	4	C	Screw
69	See Table 7		1		Adapter
70	PS84403	473800	3		Screw
71	See Table 7		1	B	O-Ring, Adapter
72	See Table 7		1	B	O-Ring, Valve Block
73	See Table 8		1		Coupling

A Available in control kit. See Table 1.

B Available in seal kit PS5800792 / 9900107-000.

C Available in rotating group kit PS1172 / 877421 for PVM074 or rotating group kit PS95741 / 314746 for PVM081.

D Available in yoke and saddle bearing kit PS5811562 / 9900117-000.

E Available in shaft bearing kit PS5811594 / 02-334431.

F Available in single shaft seal kit PS5811959 / 02-334433. Equivalent double shaft seal kit PS576626 / 02-340717.

G Available in control mounting kit PS5817652 / 9900105-000.

K For PVM074 only.

L For PVM081 only.

Model PVM074/PVM081

Table 1 - Pressure Compensator				
Model Code		Panagon	OEM	
13,14	17,18,19	20,21	1	
All	A28	00	PS3248	02-346262
All	A07	00	-	-
02	B28	11	PS137557	02-346265
02	B28	24	PS5811413	02-346266
02	C07	24	-	-
02	C28	11	PS3249	02-346263
02	C28	24	PS3249	02-346264
04	B07	11	-	-
04	B07	24	-	-
04	B28	11	-	-
04	B28	24	-	-
04	C28	11	PS5811416	02-346267
04	C28	24	PS5811417	02-346268

Table 2 - Shaft and Key						
Model Code		Panagon	OEM		Panagon	OEM
9,10	25	5		6		
09	O	PS5800839	943428	-	-	
10	O	PS5813664	943429	-	-	
11	O	PS577553	943368	-	-	
12	O	PS5813665	943430	-	-	
18	O	PS5813666	943431	PS5813781	4992727-001	
19	O	PS5813667	943432	-	-	
09	A-M	PS5811011	943433	-	-	
10	A-M	PS5813668	943434	-	-	
11	A-M	PS5813669	943435	-	-	
12	A-M	PS5813670	943436	-	-	
18	A-M	PS5813671	943437	PS5813781	4992727-001	
19	A-M	PS5813672	943438	-	-	

Table 3 - Control Plate			
Model Code		Panagon	OEM
4,5,6	7,8	9	
074	ER	PS5800949	943365
074	MR	PS5811302	943349
074	EL	PS5813674	943440
074	ML	PS5813675	943441
081	ER	PS5813676	943442
081	MR	PS5813677	943443
081	EL	PS5813678	943444
081	ML	PS5813679	943445

Table 5 - Housing		
Model Code	Panagon	OEM
13,14	21	
02	PS5814086	943354
04	PS5814087	943412

Table 8 - Coupling			
Model Code		Panagon	OEM
25	REF	73	
A	A9	PS89040	864460
B	A11	PS5814048	913314
C	B13	PS89037	864457
D	B15	PS89039	864459
E	C14	PS89038	864458
F	C17	PS89041	864461

Table 6 - Valve Block			
Model Code		Panagon	OEM
8	12,13,14	23	
R	S02	PS5813989	943358
R	S04	PS5813990	943416
<i>L</i>	<i>S02</i>	<i>PS5813991</i>	<i>943385</i>
<i>L</i>	<i>S04</i>	<i>PS5813992</i>	<i>943423</i>
<i>R</i>	<i>E02</i>	<i>PS5813993</i>	<i>943388</i>
<i>R</i>	<i>E04</i>	<i>PS5813994</i>	<i>943414</i>
<i>L</i>	<i>E02</i>	<i>PS5813995</i>	<i>943383</i>
<i>L</i>	<i>E04</i>	<i>PS5813996</i>	<i>943421</i>

Table 7 - Valve Block TD								
Model Code		Panagon	OEM	Panagon	OEM	Panagon	OEM	
8	12,13,14	25	23		69		71	72
R	02	A/B	PS5814127	943391	-	-	-	PS135407 576601
R	02	C/D	PS5814127	943391	PS137311	934296	PS135428 401525	PS135407 576601
R	02	E/F	PS5814127	934391	PS137312	934298	PS5800291 353264	PS135407 576601
R	04	A/B	PS5814128	943418	-	-	-	PS5813517 943809
R	04	C/D	PS5814128	943418	PS5813511	934567	PS135428 401525	PS5813517 943809
R	04	E/F	PS5814128	943418	PS137312	934298	PS5800291 353264	PS5813517 943809
R	04	G/H	PS5814129	943419	-	-	-	PS5813517 943809
R	04	J/K	PS5814129	943419	PS5813513	934568	PS5813515 943810	PS5813517 943809
R	04	L/M	PS5814129	943419	PS5813514	934570	PS5813516 943811	PS5813517 943809
<i>L</i>	<i>02</i>	<i>A/B</i>	<i>PS5814130</i>	<i>943393</i>	-	-	-	<i>PS135407 576601</i>
<i>L</i>	<i>02</i>	<i>C/D</i>	<i>PS5814130</i>	<i>943393</i>	<i>PS137311</i>	<i>934296</i>	<i>PS135428 401525</i>	<i>PS135407 576601</i>
<i>L</i>	<i>02</i>	<i>E/F</i>	<i>PS5814130</i>	<i>943393</i>	<i>PS137312</i>	<i>934298</i>	<i>PS5800291 353264</i>	<i>PS135407 576601</i>
<i>L</i>	<i>04</i>	<i>A/B</i>	<i>PS5814131</i>	<i>943425</i>	-	-	-	<i>PS135407 576601</i>
<i>L</i>	<i>04</i>	<i>C/D</i>	<i>PS5814131</i>	<i>943425</i>	<i>PS137311</i>	<i>934296</i>	<i>PS135428 401525</i>	<i>PS135407 576601</i>
<i>L</i>	<i>04</i>	<i>E/F</i>	<i>PS5814131</i>	<i>943425</i>	<i>PS5813512</i>	<i>934569</i>	<i>PS5800291 353264</i>	<i>PS135407 576601</i>
<i>L</i>	<i>04</i>	<i>G/H</i>	<i>PS5814132</i>	<i>943426</i>	-	-	-	<i>PS5813517 943809</i>
<i>L</i>	<i>04</i>	<i>J/K</i>	<i>PS5814132</i>	<i>943426</i>	<i>PS137311</i>	<i>934296</i>	<i>PS5813515 943810</i>	<i>PS5813517 943809</i>
<i>L</i>	<i>04</i>	<i>L/M</i>	<i>PS5814132</i>	<i>943426</i>	<i>PS5813514</i>	<i>934570</i>	<i>PS5813516 943811</i>	<i>PS5813517 943809</i>

Table 4 - Mounting Flange			
Model Code		Panagon	OEM
11	13,14	15,16	11
E	02	00/AA/AC	PS5813943 943396
E	02	AB/AD	PS5813945 943998
E	04	00/AA/AC	PS5813946 943400
E	04	AB/AD	PS5813947 943404
F	04	00/AA/AC	PS5813948 943401
F	04	AB/AD	PS5813949 943405
G	02	00/AA/AC	PS5813950 943352
G	02	AB/AD	PS5813951 943373
G	04	00/AA/AC	PS5813952 943402
G	04	AB/AD	PS5813953 943406
H	04	00/AA/AC	PS5813954 943403
H	04	AB/AD	PS5813955 943407

Model PVM074/PVM081

P V M 0 7 4 E R 1 0 E S 0 2 A A A 2 8 0 0 0 0 0 0 A 0 A
 1 2 3 4 5 6 7 8 9 10 11 12 13 14 15 16 17 18 19 20 21 22 23 24 25 26 27 28

123 Pump Series

PVM M-Series variable piston pump

456 Displacement

074 73.7 cm³/rev (4.5 in³/rev) 280 bar
 081 81.0 cm³/rev (4.94 in³/rev) 230 bar

7 Valve Plate

E Industrial (1800 rpm max)
 M Mobile equipment speeds

8 Input Rotation

R Clockwise (right hand)
 L Counterclockwise (left hand)

9 10 Input Shaft

09 SAE J744-32-1 C straight key
 10 SAE J744-38-1 C-C straight key
 11 SAE J744-32-4 14T spline
 12 SAE J744-38-4 C-C 17T spline

11 Mounting Flange

E SAE J744-127-2 (SAE C 2 bolt)
 G SAE J744-127-4 (SAE C 4 bolt)

12 Main Port Location

E End (na on thru drive)
 S Side

13 14

Main Port Type

02 SAE J518 flange ports
 04 ISO 6162 flange ports

Pump Special Features

15 16 00 None (single shaft seal)
 AA Adjustable maximum displacement stop and single shaft seal (standard)
 AB Double shaft seal, two way
 AD Adjustable maximum displacement stop and double shaft seal

17 Control

0 None
 A Pressure compensator
 B Pressure and flow compensator with bleed orifice
 C Pressure and flow compensator with plugged orifice

18 19 Pressure Comp Setting

00 None
 07 66-74 bar (957-1073 psi)
 23 227-234 bar (3277-3393 psi) 081 cm³/rev
 28 276-284 bar (4002-4118 psi) 074 cm³/rev

20 21 Flow Comp Setting

00 None
 11 10-11 bar (145-174 psi)
 20 19-21 bar (275.5-304.5 psi)
 24 23-25 bar (333.5-362.5 psi)

22 23 Torque Limiter Setting

00 None

24 Compensator Special Features

0 None

25 Auxiliary Mounting Pad

0 None
 A SAE A 2 bolt 9T spline
 B SAE A 2 bolt 11T spline
 C SAE B 2/4 bolt 13T spline
 D SAE B-B 2/4 bolt 15T spline
 E SAE C 2/4 bolt 14T spline
 F SAE C-C 2/4 bolt 17T spline

26 Paint

0 No paint
 A Blue (standard)

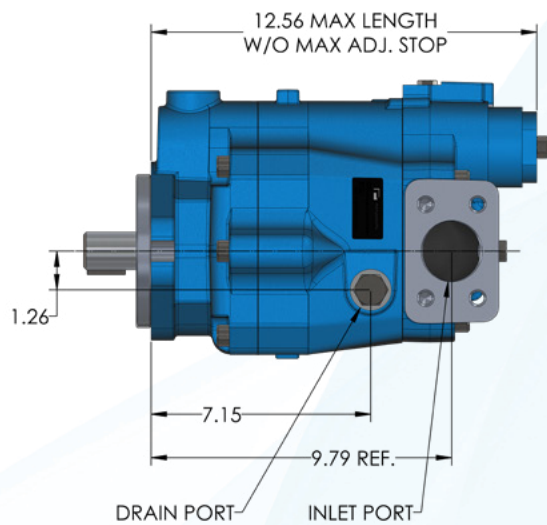
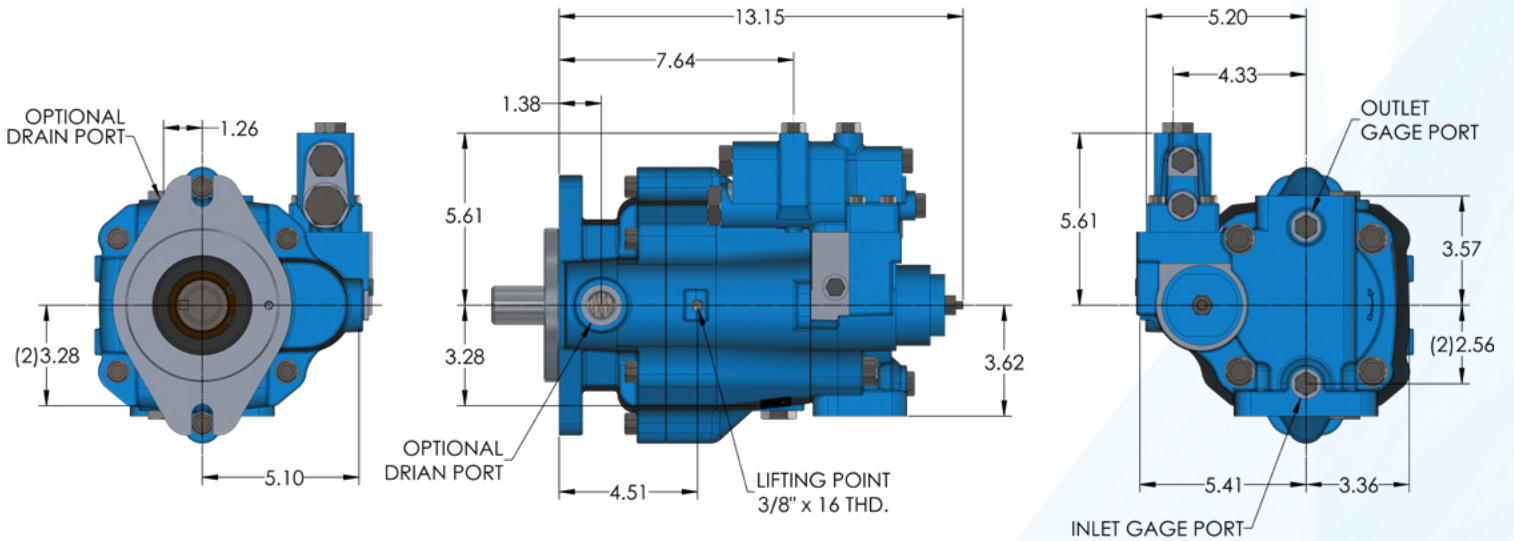
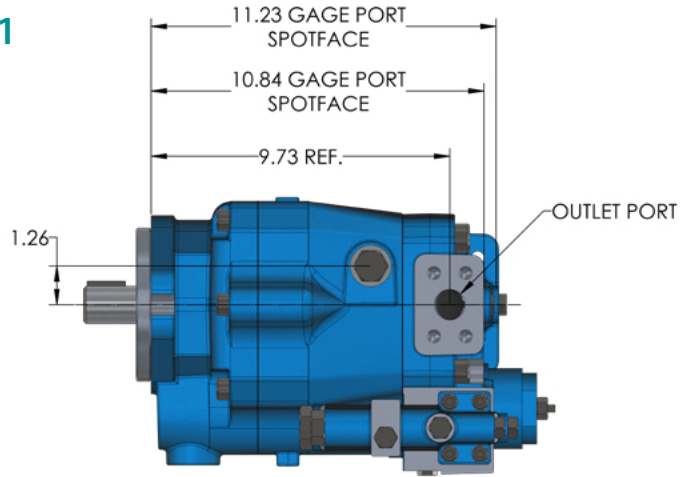
27 Customer Identification

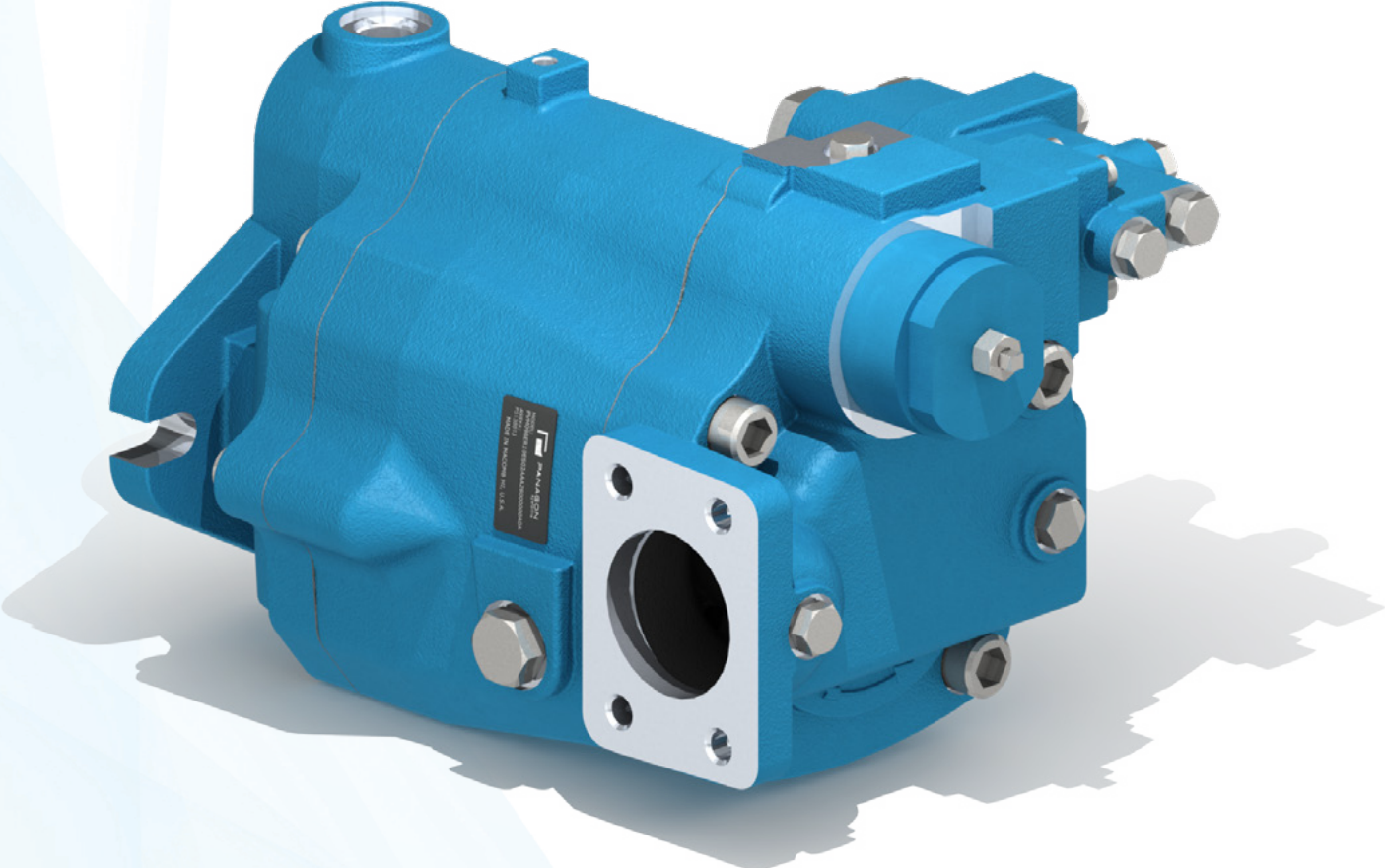
0 None

28 Design Code

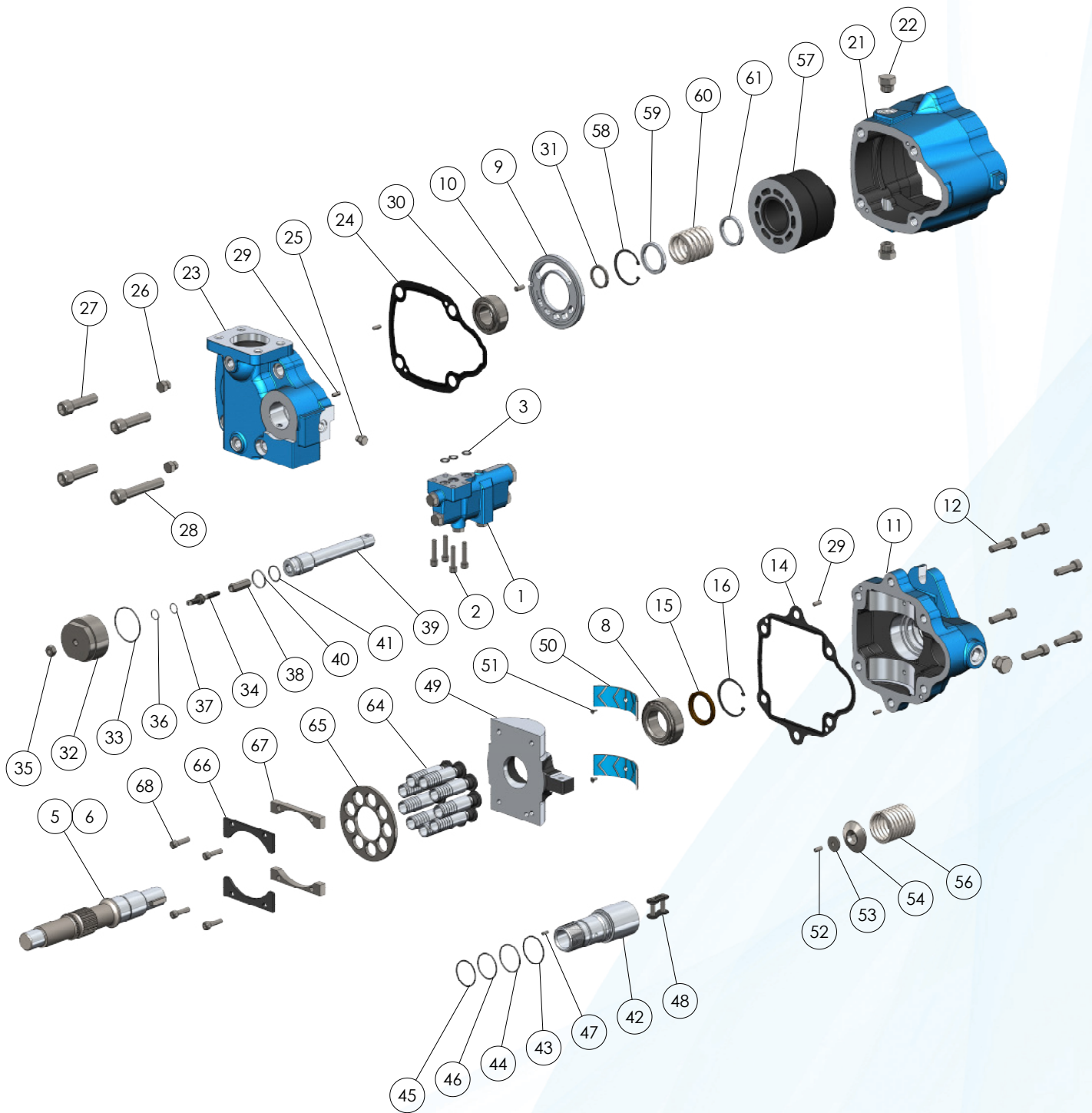
A A (initial release)

Model PVM074/PVM081





Model PVM098/PVM106



Model PVM098/PVM106

ITEM	PART NUMBER		QTY	NOTE	DESCRIPTION
	Panagon	OEM			
1	See Table 1		1		Pressure Compensator
2	PS3259	114975-035	4	A/G	Soc HD Cap Screw M8
3	PS135119	4992737-111	3	A/B/G	O-Ring
5	See Table 2		1		Drive Shaft
6	See Table 2		1		Key
8	PS5811594	02-334431	1	E	Bearing S/A
9	See Table 3		1		Valve Plate
10	PS5571	95904-068	1		Pin (Valve Plate)
11	See Table 4		1		Mounting Flange
12	PS5813518	114977-040	6		Soc HD Cap Screw M12
14	PS5800422	943212	1	B	Flange Gasket
15	PS577170	943427	1	B/F	Shaft Seal
16	PS1354	101680-225	1	B/F	Retaining Ring
21	See Table 5		1		Housing
22	PS576917	115046-010	2		O-Ring Plug S/A
23	See Table 6		1		Valve Block
23	See Table 7		1		Valve Block Thru Drive
24	PS5800421	943211	1	B	Valve Block Gasket
25	PS2254	115046-004	1		O-Ring Plug S/A
26	PS5810893	115046-006	2		O-Ring Plug S/A
27	PS5813522	114978-060	3		Soc HD Cap Screw M16
28	PS576409	114978-090	1		Soc HD Cap Screw M16
29	PS576922	96201-062	4		Roll Pin
30	PS577264	02-334432	1	E	Bearing S/A
31	PS5813524	4992185-xxx			Shaft Spacer
32	PS5816955	943222	1		Control Cap
33	PS135309	4992737-138	1	B	O-Ring
34	PS5813526	943227	1		Adjustment Screw
35	PS576924	4992732-002	1		Jam Nut
36	PS5811360	8770-015	1	B	Back-Up Ring
37	PS5811361	104166-015	1	B	O-Ring
38	PS5813527	943228	1		Hex Stop
39	PS5813528	943214	1		Control Piston
40	PS5800737	943367	1	B	Glide Ring
41	PS5811362	104166-118	1	B	O-Ring
42	PS5813529	943213	1		Sleeve
43	PS-5811372	115000-131	1	B	Back-Up Ring
44	PS5811363	104166-131	1	B	O-Ring
45	PS5811364	114998-129	1	B	Back-Up Ring
46	PS5811365	104166-129	1	B	O-Ring

ITEM	PART NUMBER		QTY	NOTE	DESCRIPTION
	Panagon	OEM			
47	PS7	95902-050	1		Pin
48	PS577654	943252	1		Chain Link
49	PS576625	943206	1		Swashplate
50	PS139681	943226	2	D	Cradle Bearing
51	PS3199	114995-010	2	D	Screw Socket Flat Head
52	PS576922	96201-062	1	D	Pin
53	PS576938	933071	1	D	Button
54	PS577337	943219	1	D	Spring Seat
56	PS5811601	943216	1		Outer Bias Spring
57	PS1952	943201	1	C/K	Cylinder Block (98)
57	PS5812439	943223	1	C/L	Cylinder Block (106)
58	PS5813531	101680-212	1	C	Retaining Ring
59	PS1955	584547	1	C	Spring Guide, Outer
60	PS1954	627192	1	C	Spring
61	PS1953	584546	1	C	Spring Guide, Inner
64	PS93349	02-152400	9	C/K	Piston Shoe S/A (98)
64	PS136986	02-306365	9	C/L	Piston Shoe S/A (106)
65	PS1957	584539	1	C/K	Shoe Retainer
66	PS1958	513626	2	C	Hold Down Straps
67	PS6034	513625	2	C	Spacer
68	PS1968	114975-030	4	C	Screw
69	See Table 7		1		Adapter
70	PS84403	473800	3		Screw
71	See Table 7		1	B	O-Ring, Adapter
72	See Table 7		1	B	O-Ring, Valve Block
73	See Table 8		1		Coupling

A Available in control kit. See Table 1.

B Available in seal kit PS5817654 / 9900109-000.

C Available in rotating group kit PS1173 / 877422 for PVM098 or rotating group kit PS5817655 / 159812 for PVM106.

D Available in yoke and saddle bearing kit 9900106-000.

E Available in shaft bearing kit PS5817656 / 9900110-000.

F Available in single shaft seal kit PS5811959 / 02-334433. Equivalent double shaft seal kit PS576626 / 02-340717.

G Available in control mounting kit PS5817652 / 9900105-000.

K For PVM098 only.

L For PVM106 only.

Model PVM098/PVM106

Table 1 - Pressure Compensator				
Model Code			Panagon	OEM
13,14	17,18,19	20,21	1	
All	A28	00	PS3247	02-346262
All	A07	00	-	-
02	B28	11	PS137557	02-346265
02	B28	24	PS5811413	02-346266
02	C07	24	-	-
02	C28	11	PS3249	02-346263
02	C28	24	PS3249	02-346264
04	B07	11	-	-
04	B07	24	-	-
04	B28	11	-	-
04	B28	24	-	-
04	C28	11	PS5811416	02-346267
04	C28	24	PS5811417	02-346268

Table 2 - Shaft and Key					
Model Code		Panagon	OEM	Panagon	OEM
9,10	25	5		6	
09	O	PS577653	943305	-	-
10	O	PS5813693	943306	-	-
11	O	PS5812913	943218	-	-
12	O	PS5813694	943307	-	-
18	O	PS5813695	943308	PS5813781	4992727-001
19	O	PS5813696	943309	-	-
09	A-M	PS5813697	943310	-	-
10	A-M	PS5813698	934311	-	-
11	A-M	PS5812848	943312	-	-
12	A-M	PS5813699	943313	-	-
18	A-M	PS5813700	943314	PS5813781	4992727-001
19	A-M	PS5813701	943315	-	-

Table 3 - Control Plate				
Model Code		Panagon	OEM	
4,5,6	7,8	9		
098	ER	PS577655	943316	
098	MR	PS577337	943219	
098	EL	PS5813702	934317	
098	ML	PS3188	943318	
106	ER	PS5812920	943342	
106	MR	PS139612	943343	
106	EL	PS5813705	934344	
106	ML	PS5813706	934345	

Table 4 - Mounting Flange				
Model Code			Panagon	OEM
11	13,14	15,16	11	
E	02	00/AA/AC	PS5813919	943275
E	04	00/AA/AC	PS5813921	943277
F	04	00/AA/AC	PS5813923	943278
G	02	00/AA/AC	PS5811602	943202
G	04	00/AA/AC	PS5813927	943279
H	04	00/AA/AC	PS5813929	943280
E	02	AB/AD	PS5813920	943341
E	04	AB/AD	PS5813922	943281
F	04	AB/AD	PS5813924	943282
G	02	AB/AD	PS5813926	943220
G	04	AB/AD	PS5813928	943283
H	04	AB/AD	PS5813930	943284

Table 6 - Valve Block			
Model Code		Panagon	OEM
8	12,13,14	23	
R	S02	PS5811605	943208
R	S04	PS5814025	943293
<i>R</i>	<i>E02</i>	<i>PS5814028</i>	<i>943238</i>
<i>R</i>	<i>E04</i>	<i>PS5814029</i>	<i>943291</i>
<i>L</i>	<i>S02</i>	<i>PS5814026</i>	<i>943235</i>
<i>L</i>	<i>S04</i>	<i>PS5814027</i>	<i>943300</i>
<i>L</i>	<i>E02</i>	<i>PS5814030</i>	<i>943241</i>
<i>L</i>	<i>E04</i>	<i>PS5814031</i>	<i>943298</i>

Table 5 - Housing			
Model Code		Panagon	OEM
13,14	21		
02	PS5811604	943204	
04	PS5814047	943289	

Table 8 - Coupling			
Model Code		Panagon	OEM
25	REF	73	
A	A9	PS89040	864460
B	A11	PS5814048	913314
C	B13	PS89037	864457
D	B15	PS89039	864459
E	C14	PS89038	864458
F	C17	PS89041	864461

Table 7 - Valve Block TD								
Model Code		Panagon	OEM	Panagon	OEM	Panagon	OEM	
8	12,13,14	25	23		69		71	
R	02	A/B	PS5811603	943246	-	-	-	PS135407
R	02	C/D	PS5811603	943246	PS137311	934296	PS135428	401525
R	02	E/F	PS5811603	943246	PS137312	934298	PS5800291	353264
R	04	A/B	PS5814141	943295	-	-	-	PS5813517
R	04	C/D	PS5814141	943295	PS5813511	934567	PS135428	401525
R	04	E/F	PS5814141	943295	PS5813512	934569	PS5800291	353264
R	04	G/H	PS5814142	943296	-	-	-	PS5813517
R	04	J/K	PS5814142	943296	PS5813513	934568	PS5813515	943810
R	04	L/M	PS5814142	943296	PS5813514	934570	PS5813516	943811
<i>L</i>	<i>02</i>	<i>A/B</i>	<i>PS5811603</i>	<i>943246</i>	-	-	-	<i>PS135407</i>
<i>L</i>	<i>02</i>	<i>C/D</i>	<i>PS5811603</i>	<i>943246</i>	<i>PS137311</i>	<i>934296</i>	<i>PS135428</i>	<i>401525</i>
<i>L</i>	<i>02</i>	<i>E/F</i>	<i>PS5811603</i>	<i>943246</i>	<i>PS137312</i>	<i>934298</i>	<i>PS5800291</i>	<i>353264</i>
<i>L</i>	<i>04</i>	<i>A/B</i>	<i>PS5814144</i>	<i>943302</i>	-	-	-	<i>PS135407</i>
<i>L</i>	<i>04</i>	<i>C/D</i>	<i>PS5814144</i>	<i>943302</i>	<i>PS5813511</i>	<i>934567</i>	<i>PS135428</i>	<i>401525</i>
<i>L</i>	<i>04</i>	<i>E/F</i>	<i>PS5814144</i>	<i>943302</i>	<i>PS5813512</i>	<i>934569</i>	<i>PS5800291</i>	<i>353264</i>
<i>L</i>	<i>04</i>	<i>G/H</i>	<i>PS5814145</i>	<i>943303</i>	-	-	-	<i>PS5813517</i>
<i>L</i>	<i>04</i>	<i>J/K</i>	<i>PS5814145</i>	<i>943303</i>	<i>PS5813513</i>	<i>934568</i>	<i>PS5813515</i>	<i>943810</i>
<i>L</i>	<i>04</i>	<i>L/M</i>	<i>PS5814145</i>	<i>943303</i>	<i>PS5813514</i>	<i>934570</i>	<i>PS5813516</i>	<i>943811</i>

Model PVM098/PVM106

P V M 0 9 8 E R 1 0 E S 0 2 A A A 2 8 0 0 0 0 0 0 A 0 A
 1 2 3 4 5 6 7 8 9 10 11 12 13 14 15 16 17 18 19 20 21 22 23 24 25 26 27 28

123 Pump Series

PVM M-Series variable piston pump

456 Displacement

098 98.3 cm³/rev (6.0 in³/rev) 280 bar
 106 106.5 cm³/rev (1.24 in³/rev) 230 bar

7 Valve Plate

E Industrial (1800 rpm max)
 M Mobile equipment speeds

8 Input Rotation

R Clockwise (right hand)
 L Counterclockwise (left hand)

9 10 Input Shaft

09 SAE J744-32-1 C straight key
 10 SAE J744-38-1 C-C straight key
 11 SAE J744-32-4 14T spline
 12 SAE J744-38-4 C-C 17T spline

11 Mounting Flange

E SAE J744-127-2 (SAE C 2 bolt)
 S SAE J744-127-4 (SAE C 4 bolt)

12 Main Port Location

E End (na on thru drive)
 S Side

13 14 Main Port Type

02 SAE J518 flange ports
 04 ISO 6162 flange ports

15 16 Pump Special Features

00 None (single shaft seal)
 AA Adjustable maximum displacement stop and single shaft seal (standard)
 AB Double shaft seal, two way
 AD Adjustable maximum displacement stop and double shaft seal

17 Control

0 None
 A Pressure compensator
 B Pressure and flow compensator with bleed orifice
 C Pressure and flow compensator with plugged orifice

18 19 Pressure Comp Setting

00 None
 07 66-74 bar (957-1073 psi)
 23 227-234 bar (3277-3393 psi) 106 cm³/rev
 28 276-284 bar (4002-4118 psi) 098 cm³/rev

20 21 Flow Comp Setting

00 None
 11 10-11 bar (145-174 psi)
 20 19-21 bar (275.5-304.5 psi)
 24 23-25 bar (333.5-362.5 psi)

22 23 Torque Limiter Setting

00 None

24 Compensator Special Features

0 None

25 Auxiliary Mounting Pad

0 None
 A SAE A 2 bolt 9T spline
 B SAE A 2 bolt 11T spline
 C SAE B 2/4 bolt 13T spline
 D SAE B-B 2/4 bolt 15T spline
 E SAE C 2/4 bolt 14T spline
 F SAE C-C 2/4 bolt 17T spline

26 Paint

0 No paint
 A Blue (standard)

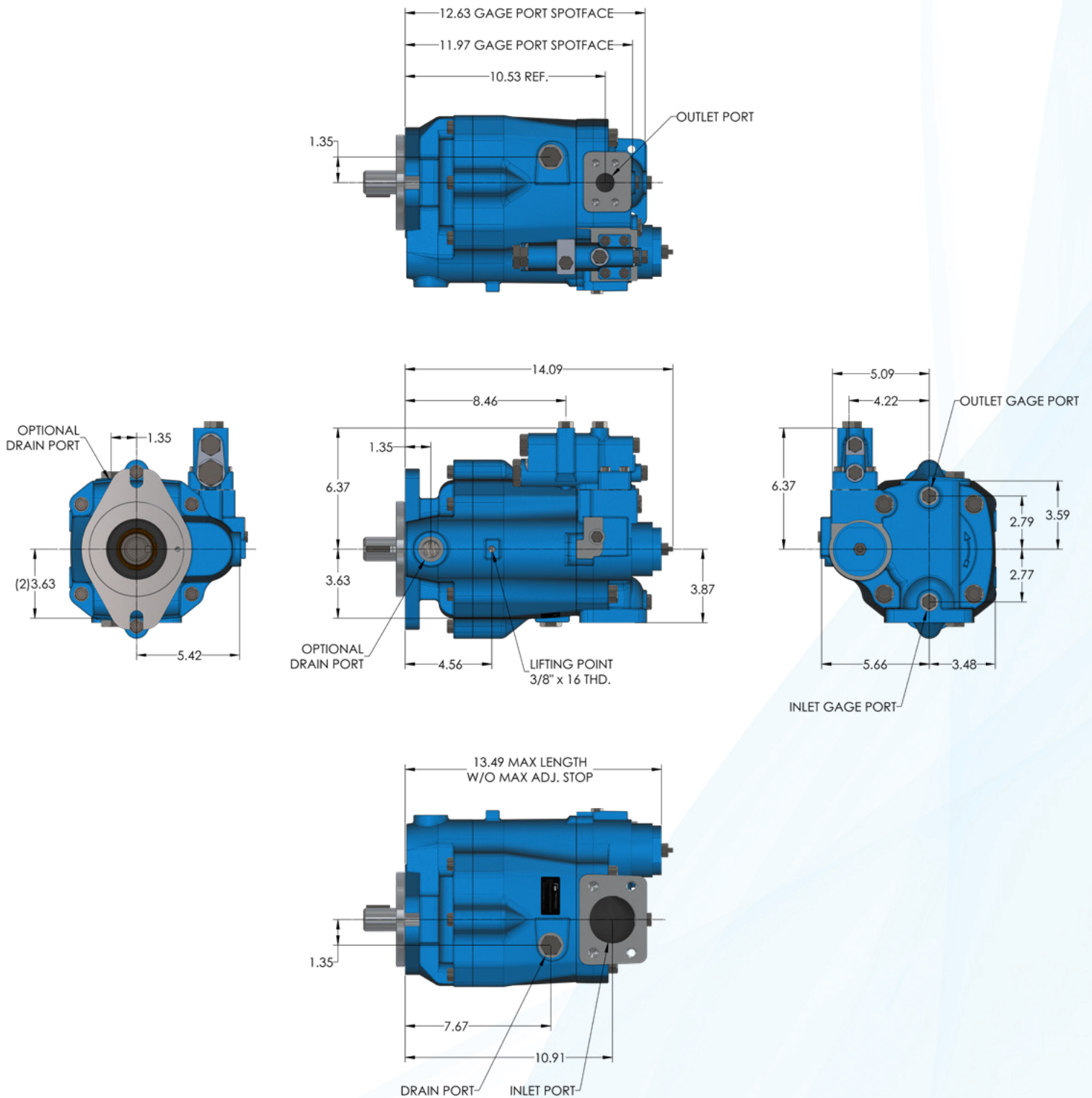
27 Customer Identification

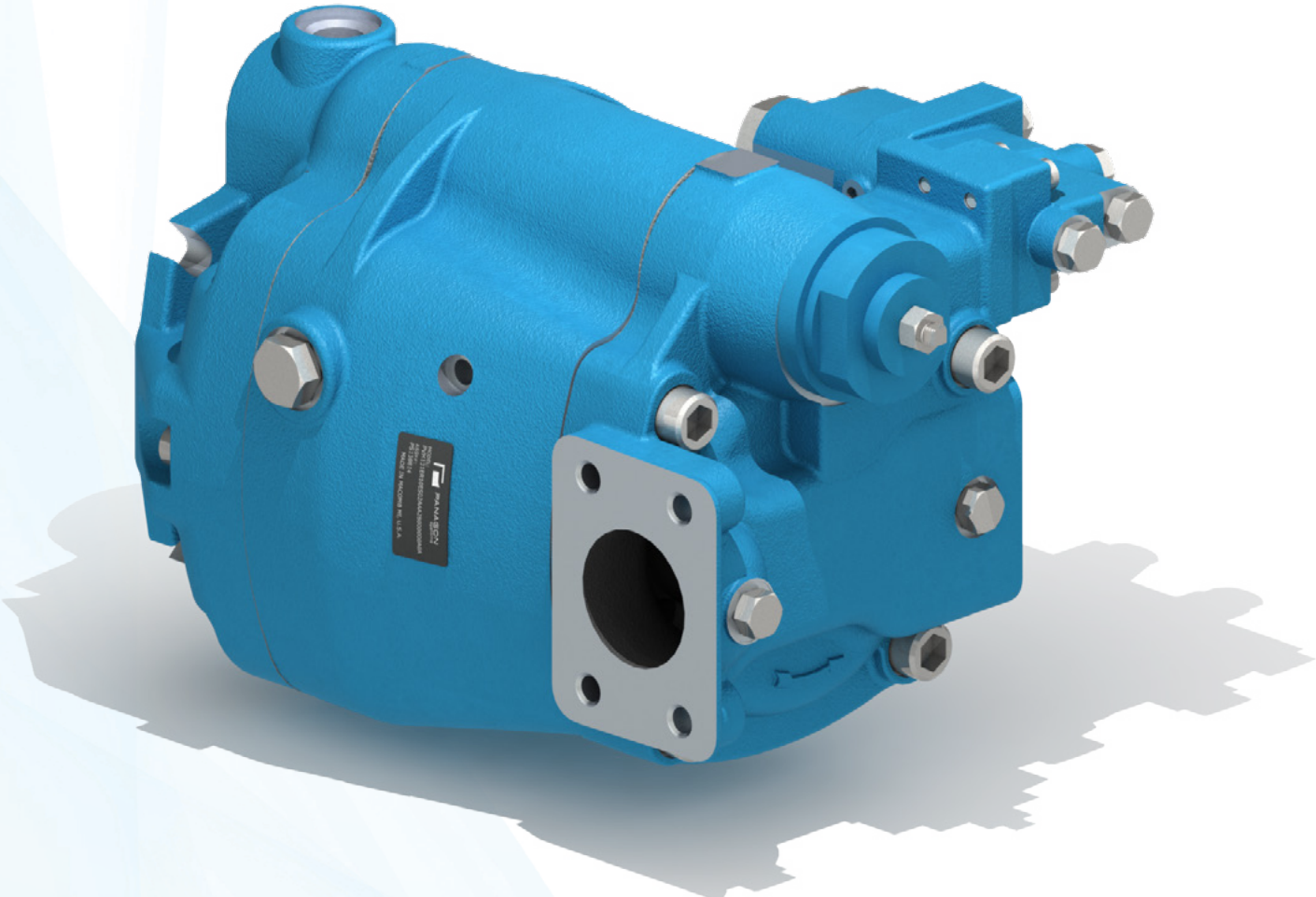
0 None

28 Design Code

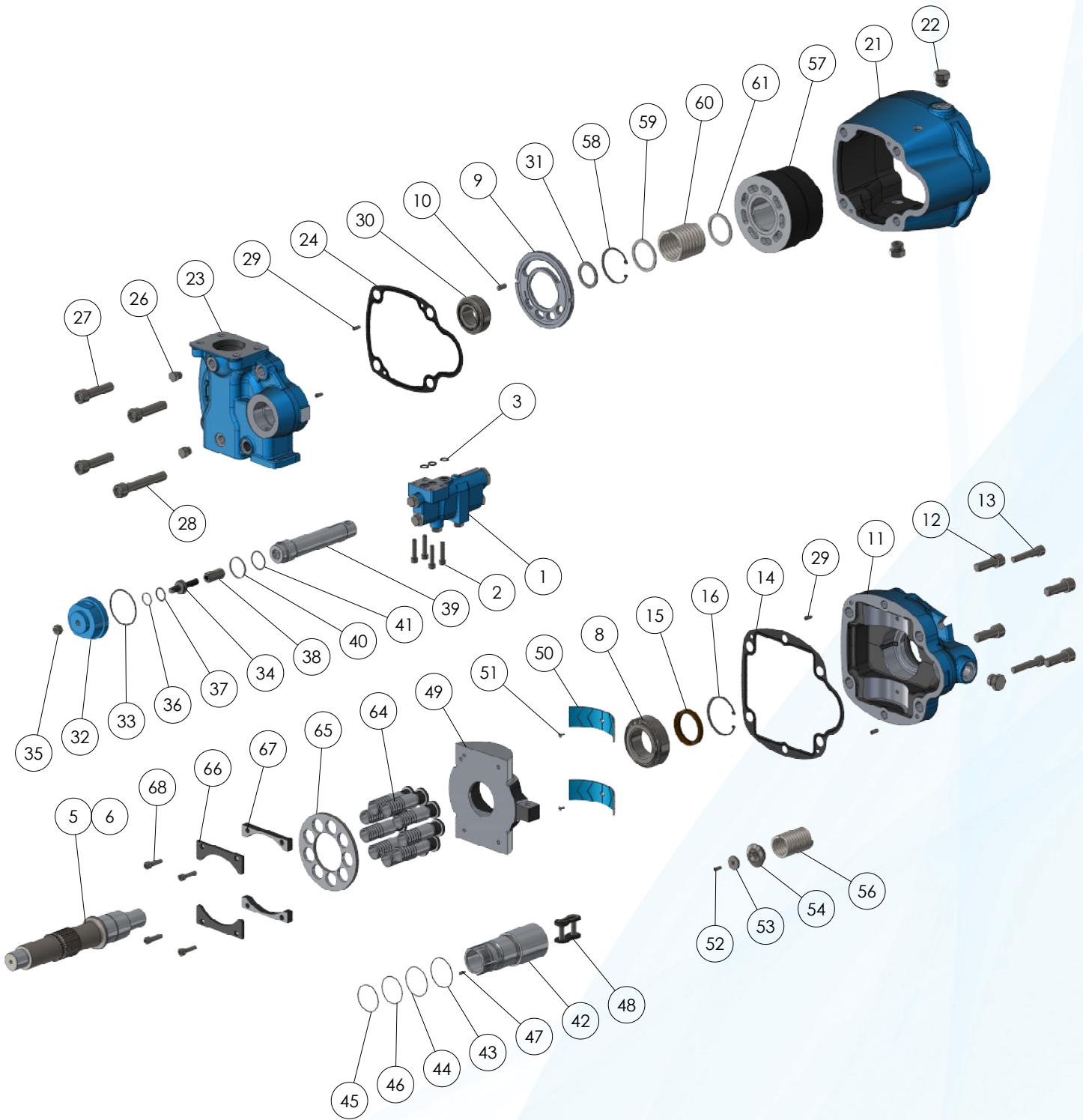
A A (initial release)

Model PVM098/PVM106





Model PVM131/PVM141



Model PVM131/PVM141

ITEM	PART NUMBER		QTY	NOTE	DESCRIPTION
	Panagon	OEM			
1	See Table 1		1		Pressure Compensator
2	PS3259	114975-035	4	A/G	Soc HD Cap Screw M8
3	PS135119	4992737-111	3	A/B/G	O-Ring
5	See Table 2		1		Drive Shaft
6	See Table 2		1		Key
8	PS3196	388206	1	E	Bearing S/A
9	See Table 3		1		Valve Plate
10	PS5571	95904-068	1		Pin (Valve Plate)
11	See Table 4		1		Mounting Flange
12	PS576918	114978-045	4		Soc HD Cap Screw M12
13	PS576919	114977-060	2		Soc HD Cap Screw M16
14	PS5800414	933088	1	B	Flange Gasket
15	PS136801	864200	1	B/F	Shaft Seal
16	PS6095	115019-250	1	B/F	Retaining Ring
21	See Table 5		1		Housing
22	PS576917	115046-010	2		O-Ring Plug S/A
23	See Table 6		1		Valve Block
23	See Table 7		1		Valve Block Thru Drive
24	PS5800415	933087	1	B	Valve Block Gasket
26	PS5810893	115046-006	2		O-Ring Plug S/A
27	PS576930	114978-065	3		Soc HD Cap Screw M16
28	PS84406	114978-100	1		Soc HD Cap Screw M16
29	PS576922	96201-062	4		Roll Pin
30	PS137325	02-328957	1	E	Bearing S/A
31	PS6021	4992187-xxx			Shaft Spacer
32	PS576925	934488	1		Control Cap
33	PS5811323	933080	1	B	O-Ring
34	PS137324	934474	1		Adjustment Screw
35	PS576924	4992732-002	1		Jam Nut
36	PS5811324	8770-016	1	B	Back-Up Ring
37	PS134812	104166-016	1	B	O-Ring
38	PS576916	934466	1		Hex Stop
39	PS137628	933049	1		Control Piston
40	PS5800846	933078	1	B	Glide Ring
41	PS5811367	104166-123	1	B	O-Ring
42	PS576658	933076	1		Sleeve
43	PS5800847	114998-033	1	B	Back-Up Ring
44	PS134927	104166-033	1	B	O-Ring
45	PS5800848	114998-032	1	B	Back-Up Ring
46	PS134920	104166-032	1	B	O-Ring
47	PS7	95902-050	1		Pin

ITEM	PART NUMBER		QTY	NOTE	DESCRIPTION
	Panagon	OEM			
48	PS576191	934026	1		Chain Link
49	PS136944	933089	1		Swashplate
50	PS136945	933095	2	D	Cradle Bearing
51	PS3199	114995-010	2	D	Screw Socket Flat Head
52	PS576922	96201-062	1	D	Pin
53	PS576938	933071	1	D	Button
54	PS576939	933081	1	D	Spring Seat
56	PS576940	933079	1		Outer Bias Spring
57	PS1960	933082	1	C/K	Cylinder Block (131)
57	PS137549	937030	1	C/L	Cylinder Block (141)
58	PS5813503	101680-231	1	C	Retaining Ring
59	PS1963	581104	1	C	Spring Guide, Outer
60	PS1962	626111	1	C	Spring
61	PS1961	417667	1	C	Spring Guide, Inner
64	PS93395	02-159749	9	C/K	Piston Shoe S/A (131)
64	PS116517	02-306332	9	C/L	Piston Shoe S/A (141)
65	PS1965	683791	1	C/K	Shoe Retainer (131)
65	PS116519	928776	1	C/K	Shoe Retainer (141)
66	PS1966	526758	2	C	Hold Down Straps
67	PS85084	526757	2	C	Spacer
68	PS1968	114975-030	4	C	Screw
69	See Table 7		1		Adapter
70	PS84403	473800	3		Screw
71	See Table 7		1	B	O-Ring, Adapter
72	See Table 7		1	B	O-Ring, Valve Block
73	See Table 8		1		Coupling

- A Available in control kit, Table 1.
- B Available in seal kit PS136947 / 02-346168.
- C Available in rotating group kit PS1174 / 02-346169 for PVM131 or rotating group kit PS110712 / 02-322898 for PVM141
- D Available in yoke and saddle bearing kit PS137584 / 02-346170.
- E Available in shaft bearing kit PS137573 / 02-346171.
- F Available in single shaft seal kit PS137576 / 02-346173. Equivalent double shaft seal kit PS5816042 / 02-346174.
- G Available in control mounting kit PS5817652 / 9900105-000.
- K For PVM131 only.
- L For PVM141 only.

Model PVM131/PVM141

Table 2 - Shaft and Key					
Model Code	Panagon		OEM		
9,10 11 25	5		6		
09 E/G O	PS139511	934463	PS1978	114516	
10 E/G O	PS139512	934420	PS1976	140282	
11 E/G O	PS139513	934464	-	-	
12 E/G O	PS137798	933098	-	-	
13 J O	PS139514	934462	PS1044	633260	
14 J O	PS139515	934285	-	-	
18 F/H O	PS139516	934465	PS139373	928546	
19 F/H O	PS139517	934467	PS139380	928547	
09 E/G A-F	PS139518	934469	PS1978	114516	
10 E/G A-F	PS139519	934471	PS1976	140282	
11 E/G A-F	PS139520	934470	-	-	
12 E/G A-F	PS137799	934295	-	-	
13 J A-F	PS139521	934472	PS1044	633260	
14 J A-F	PS139522	934321	-	-	
18 F/H A-F	PS139523	934473	PS139373	928546	
19 F/H A-F	PS139524	934475	PS139380	928547	

Table 1 - Pressure Compensator					
Model Code	Panagon		OEM		
13,14 17,18,19 20,21	1				
All A28 00	PS3247	02-346262			
All A07 00	-	-			
02 B28 11	PS137557	02-346265			
02 B28 24	PS5811413	02-346266			
02 C07 24	-	-			
02 C28 11	PS3249	02-346263			
02 C28 24	PS3249	02-346264			
04 B07 11	-	-			
04 B07 24	-	-			
04 B28 11	-	-			
04 B28 24	-	-			
04 C28 11	PS5811416	02-346267			
04 C28 24	PS5811417	02-346268			

Table 4 - Mounting Flange				
Model Code	Panagon		OEM	
11 13,14 15,16	11			
E 02 00/AA/AC	PS577676	934520		
E 02 AB/AD	PS5811393	934522		
F 04 00/AA/AC	PS5811394	934525		
F 04 AB/AD	PS5811395	934527		
G 02 00/AA/AC	PS576923	933091		
G 02 AB/AD	PS5811397	934404		
G 04 00/AA/AC	PS5811398	934558		
G 04 AB/AD	PS5811399	934562		
H 04 00/AA/AC	PS5813873	934554		
H 04 AB/AD	PS5813874	934556		
J 02 00/AA/AC	PS5800158	934282		
J 02 AB/AD	PS5811400	934571		
J 04 00/AA/AC	PS5811401	934560		
J 04 AB/AD	PS5811402	934564		
K 04 00/AA/AC	PS5813875	934555		
K 04 AB/AD	PS5813876	934565		

Table 5 - Housing		
Model Code	Panagon	OEM
13,14	21	
02	PS576128	933093
04	PS5811392	934566

Table 8 - Coupling			
Model Code	Panagon		OEM
25 REF	73		
A A9	PS89422	877039	
B A11	PS90307	913411	
C B13	PS89423	877040	
D B15	PS89424	877044	
E C14	PS89425	877045	
F C17	PS89426	877046	

Table 3 - Control Plate			
Model Code	Panagon		OEM
4,5,6 7,8	9		
131 ER	PS137648	937017	
131 MR	PS137649	933083	
131 EL	PS137644	937167	
131 ML	PS5811721	937168	
141 ER	PS576713	937169	
141 MR	PS5813722	934292	
141 EL	PS137895	937170	
141 ML	PS5813510	937171	

Table 7 - Valve Block TD								
Model Code	Panagon		OEM		Panagon		OEM	
8 12,13,14 25	23		69		71		72	
R 02 A/B	PS5811408	934284	-	-	-	-	PS135407	576601
R 02 C/D	PS5811408	934284	PS137311	934296	PS135428	401525	PS135407	576601
R 02 E/F	PS5811408	934284	PS137312	934298	PS5800291	353264	PS135407	576601
R 04 A/B	PS5811409	934500	-	-	-	-	PS5813517	943809
R 04 C/D	PS5811409	934500	PS5813511	934567	PS135428	401525	PS5813517	943809
R 04 E/F	PS5811409	934500	PS5813512	934569	PS5800291	353264	PS5813517	943809
R 04 G/H	PS5811410	934501	-	-	-	-	PS5813517	943809
R 04 J/K	PS5811410	934501	PS5813513	934568	PS5813515	943810	PS5813517	943809
R 04 L/M	PS5811410	934501	PS5813514	934570	PS5813516	943811	PS5813517	943809
<i>L 02 A/B</i>	<i>PS137896</i>	<i>934505</i>	-	-	-	-	<i>PS135407</i>	<i>576601</i>
<i>L 02 C/D</i>	<i>PS137896</i>	<i>934505</i>	<i>PS137311</i>	<i>934296</i>	<i>PS135428</i>	<i>401525</i>	<i>PS135407</i>	<i>576601</i>
<i>L 02 E/F</i>	<i>PS137896</i>	<i>934505</i>	<i>PS137312</i>	<i>934298</i>	<i>PS5800291</i>	<i>353264</i>	<i>PS135407</i>	<i>576601</i>
<i>L 04 A/B</i>	<i>PS5811411</i>	<i>934506</i>	-	-	-	-	<i>PS135407</i>	<i>576601</i>
<i>L 04 C/D</i>	<i>PS5811411</i>	<i>934506</i>	<i>PS5813511</i>	<i>934567</i>	<i>PS135428</i>	<i>401525</i>	<i>PS135407</i>	<i>576601</i>
<i>L 04 E/F</i>	<i>PS5811411</i>	<i>934506</i>	<i>PS5813512</i>	<i>934569</i>	<i>PS5800291</i>	<i>353264</i>	<i>PS135407</i>	<i>576601</i>
<i>L 04 G/H</i>	<i>PS5811412</i>	<i>934507</i>	-	-	-	-	<i>PS5813517</i>	<i>943809</i>
<i>L 04 J/K</i>	<i>PS5811412</i>	<i>934507</i>	<i>PS5813513</i>	<i>934568</i>	<i>PS5813515</i>	<i>943810</i>	<i>PS5813517</i>	<i>943809</i>
<i>L 04 L/M</i>	<i>PS5811412</i>	<i>934507</i>	<i>PS5813514</i>	<i>934570</i>	<i>PS5813516</i>	<i>943811</i>	<i>PS5813517</i>	<i>943809</i>

Table 6 - Valve Block			
Model Code	Panagon		OEM
8 12,13,14	23		
R S02	PS576931	933096	
R S04	PS5811403	934499	
<i>L S02</i>	<i>PS137879</i>	<i>934289</i>	
<i>L S04</i>	<i>PS5811404</i>	<i>934504</i>	
<i>R E02</i>	<i>PS137882</i>	<i>934413</i>	
<i>R E04</i>	<i>PS5811405</i>	<i>934498</i>	
<i>L E02</i>	<i>PS5811406</i>	<i>934502</i>	
<i>L E04</i>	<i>PS5811407</i>	<i>934503</i>	

Model PVM131/PVM141

P V M 1 3 1 E R 1 0 E S 0 2 A A A 2 8 0 0 0 0 0 0 A 0 A
 1 2 3 4 5 6 7 8 9 10 11 12 13 14 15 16 17 18 19 20 21 22 23 24 25 26 27 28

123 Pump Series

PVM M-Series variable piston pump

456 Displacement

131 131.1 cm³/rev (8.0 in³/rev) 280 bar
 141 141.0 cm³/rev (8.6 in³/rev) 230 bar

7 Valve Plate

E Industrial (1800 rpm max)
 M Mobile equipment speeds

8 Input Rotation

R Clockwise (right hand)
 L Counterclockwise (left hand)

9 10 Input Shaft

09 SAE J744-32-1 C straight key
 10 SAE J744-38-1 C-C straight key
 11 SAE J744-32-4 14T spline
 12 SAE J744-38-4 C-C 17T spline
 13 SAE J744-44-1 D staright key
 14 SAE J744-44-2 D 13T spline

11 Mounting Flange

E SAE J744-127-2 (SAE C 2 bolt)
 G SAE J744-127-4 (SAE C 4 bolt)
 J SAE J744-152-4 (SAE D 4 bolt)

12 Main Port Location

E End (na on thru drive)
 S Side

13 14 Main Port Type

02 SAE J518 flange ports
 04 ISO 6162 flange ports

15 16 Pump Special Features

00 None (single shaft seal)
 AA Adjustable maximum displacement stop and single shaft seal (standard)
 AB Double shaft seal, two way
 AD Adjustable maximum displacement stop and double shaft seal

17 Control

0 None
 A Pressure compensator
 B Pressure and flow compensator with bleed orifice
 C Pressure and flow compensator with plugged orifice

18 19 Pressure Comp Setting

00 None
 07 66-74 bar (957-1073 psi)
 23 227-234 bar (3277-3393 psi) 141 cm³/rev
 28 276-284 bar (4002-4118 psi) 131 cm³/rev

20 21 Flow Comp Setting

00 None
 11 10-11 bar (145-174 psi)
 20 19-21 bar (275.5-304.5 psi)
 24 23-25 bar (333.5-362.5 psi)

22 23 Torque Limiter Setting

00 None

24 Compensator Special Features

0 None

25 Auxiliary Mounting Pad

0 None
 A SAE A 2 bolt 9T spline
 B SAE A 2 bolt 11T spline
 C SAE B 2/4 bolt 13T spline
 D SAE B-B 2/4 bolt 15T spline
 E SAE C 2/4 bolt 14T spline
 F SAE C-C 2/4 bolt 17T spline

26 Paint

0 No paint
 A Blue (standard)

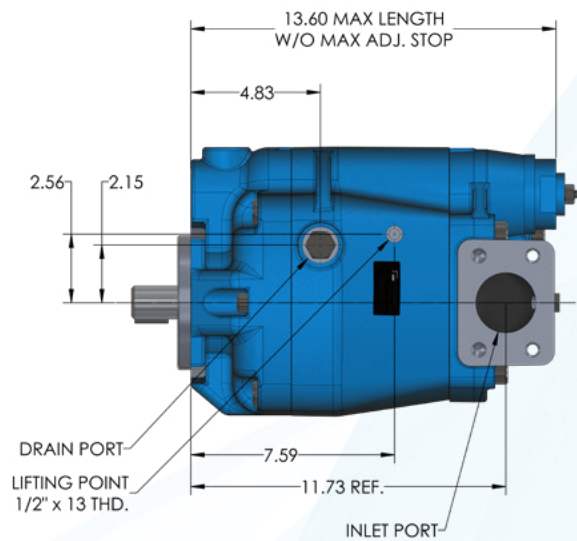
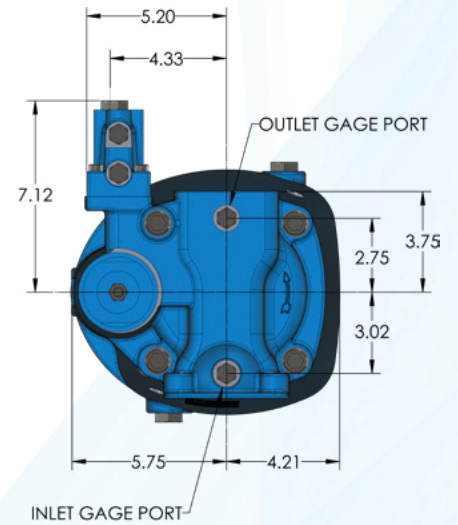
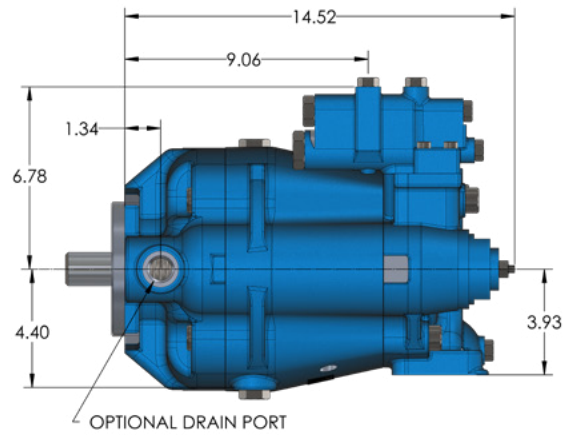
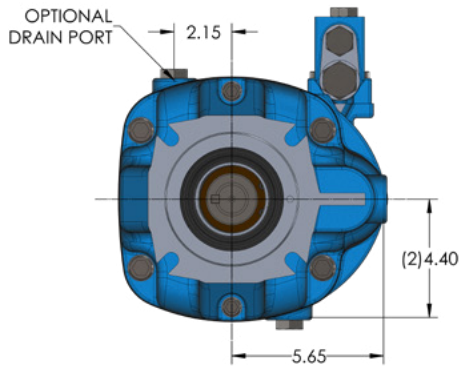
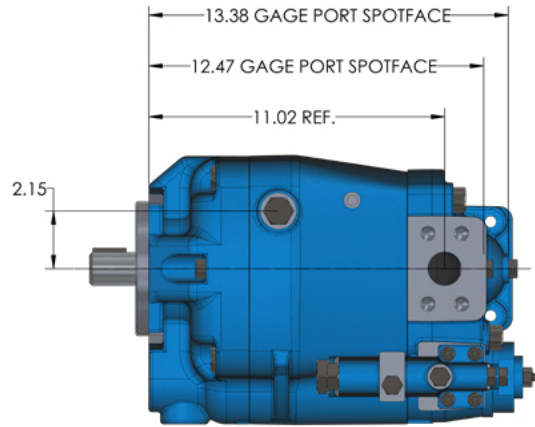
27 Customer Identification

0 None

28 Design Code

A A (initial release)

Model PVM131/PVM141





PROUDLY MANUFACTURED IN MACOMB, MICHIGAN

OEM Quality Hydraulic Pumps • OEM Quality Hydraulic Motors
OEM Quality Replacement Parts For: Vickers/Eaton, Rexroth and Caterpillar

51375 Regency Center Dr., Macomb, MI 48042 | Phone: 586-786-3920 | Fax: 586-786-7331
Email: sales@panagonsystems.com



WWW.PANAGONSYSTEMS.COM