



PANAGON  
systems

HYDRAULIC PUMP MANUFACTURING

# COMPENSATOR SUBASSEMBLY MODELS **BUILT BY US**

PVB 5.10.20

PVB 45

PVB 90

PVH

PVH CV

PVH IC

PVH T



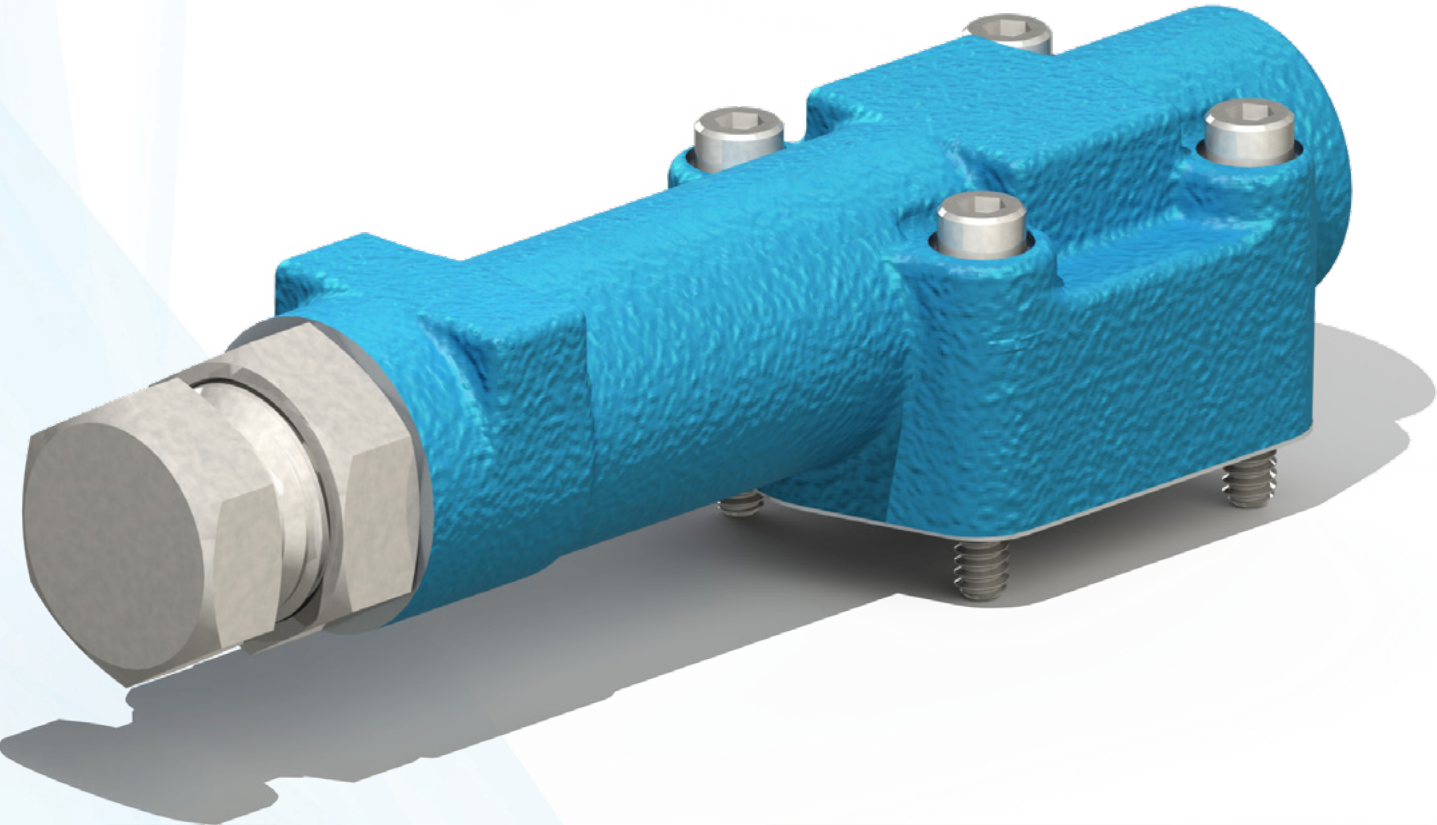
**PARTS INFORMATION GUIDE**

[WWW.PANAGONSYSTEMS.COM](http://WWW.PANAGONSYSTEMS.COM)



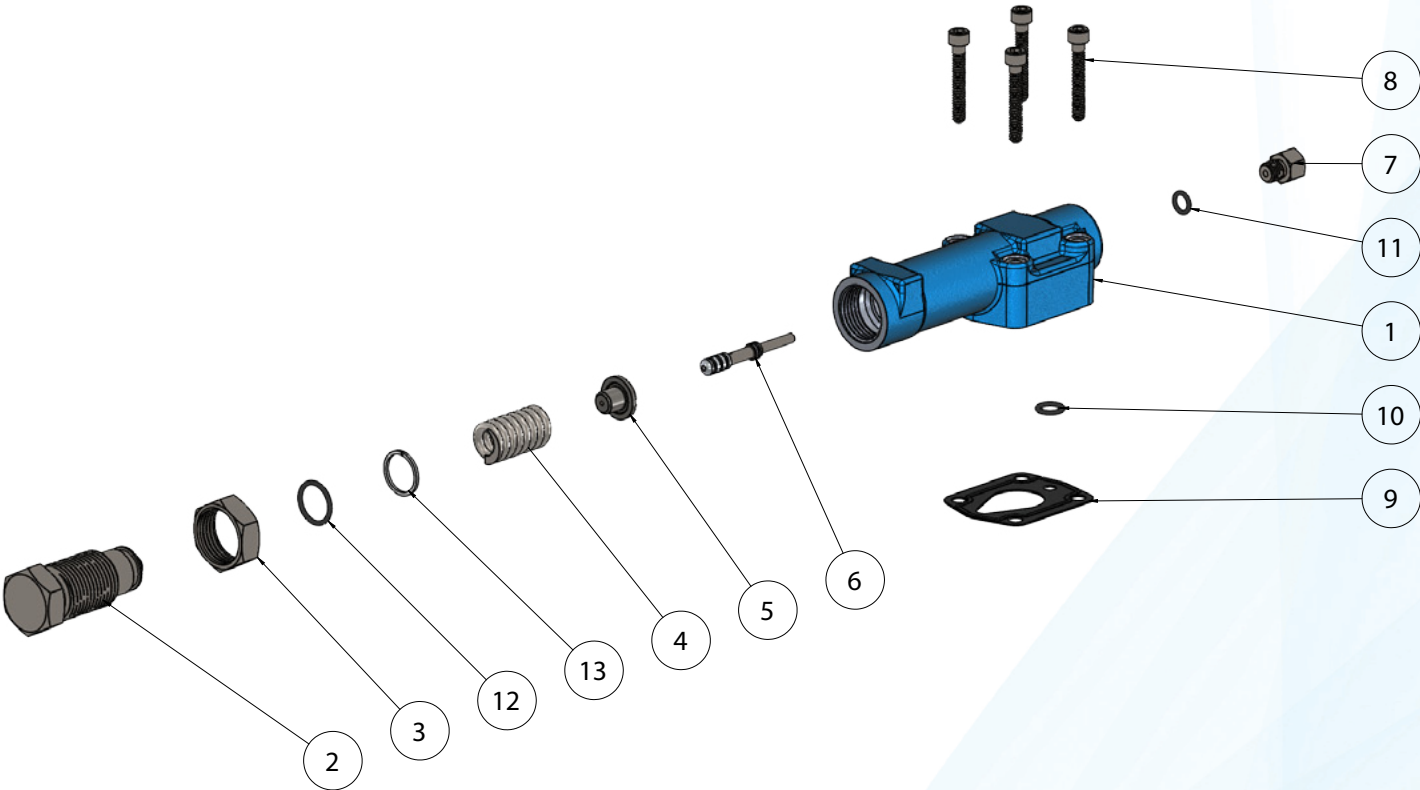
Founded nearly 35 years ago, Panagon Systems has remained a trusted company producing hydraulic parts on demand for a number of shops, manufacturers and industries. The company, located in Macomb, Michigan, is a hydraulic piston pumps and parts manufacturer, providing a vast variety of current and obsolete components. With a variety of CNC machines, Panagon produces finished product from raw materials. Which are then assembled, tested, painted and shipped from our facility. Panagon Systems attempts to fill the void OEM's create by manufacturing the phased out, expensive, unavailable pumps, motors and transmissions.

<b>PVB 5.10.20</b> .....	2
Parts Identification .....	3
Parts Lists .....	4
<b>PVB 45</b> .....	6
Parts Identification .....	7
Parts Lists .....	8
<b>PVB 90</b> .....	10
Parts Identification .....	11
Parts Lists .....	12
<b>PVH</b> .....	14
Parts Identification .....	15
Parts Lists .....	16
<b>PVH CV</b> .....	18
Parts Identification .....	19
Parts Lists .....	20
<b>PVH IC</b> .....	22
Parts Identification .....	23
Parts Lists .....	24
<b>PVH T</b> .....	26
Parts Identification .....	27
Parts Lists .....	28
<b>PVE CVP</b> .....	30
Parts Identification .....	31
Parts Lists .....	32
<b>PVE CG-CV</b> .....	34
Parts Identification .....	35
Parts Lists .....	36



# Parts Identification

## Model PVB 5.10.20



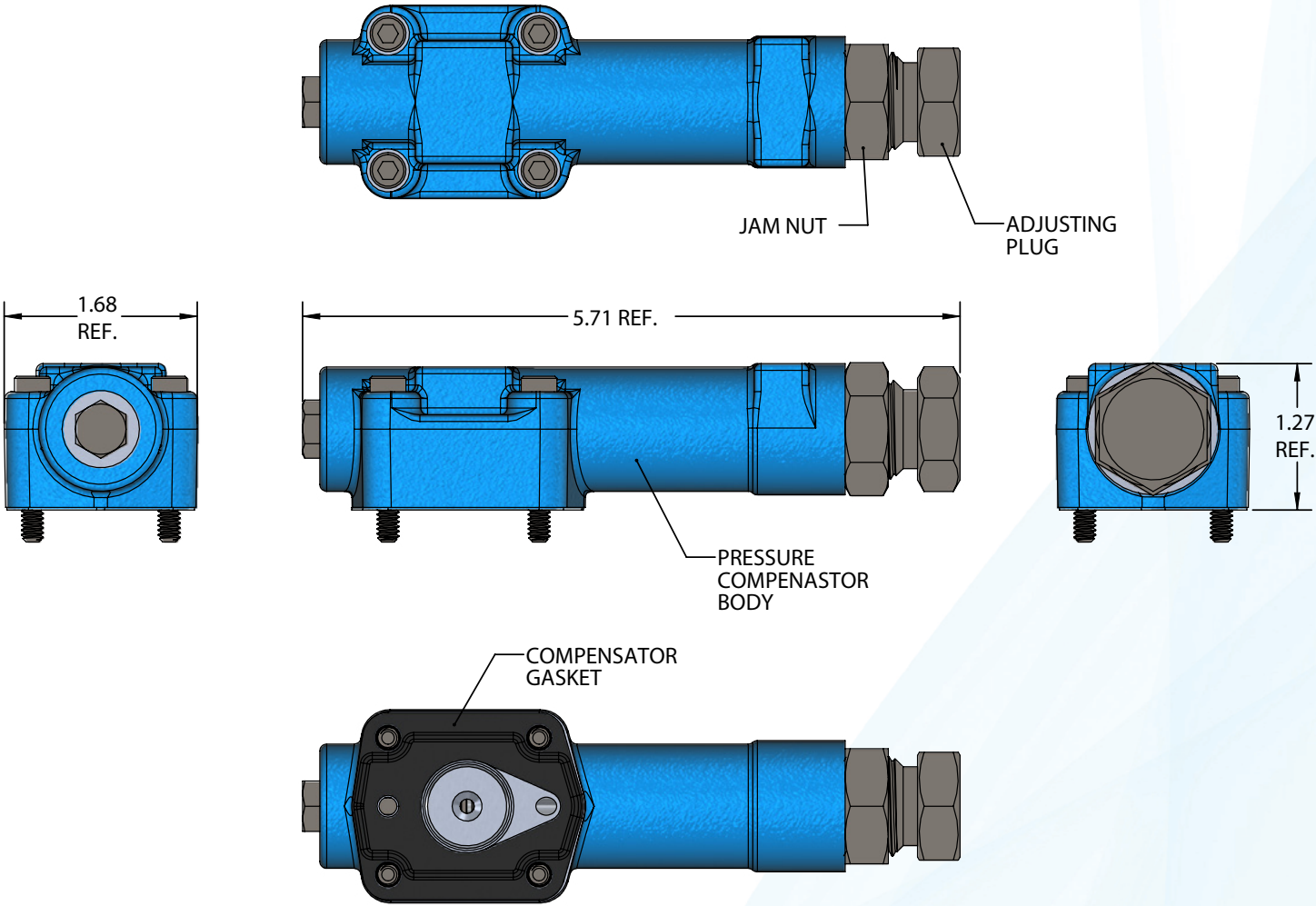
## Model PVB 5.10.20

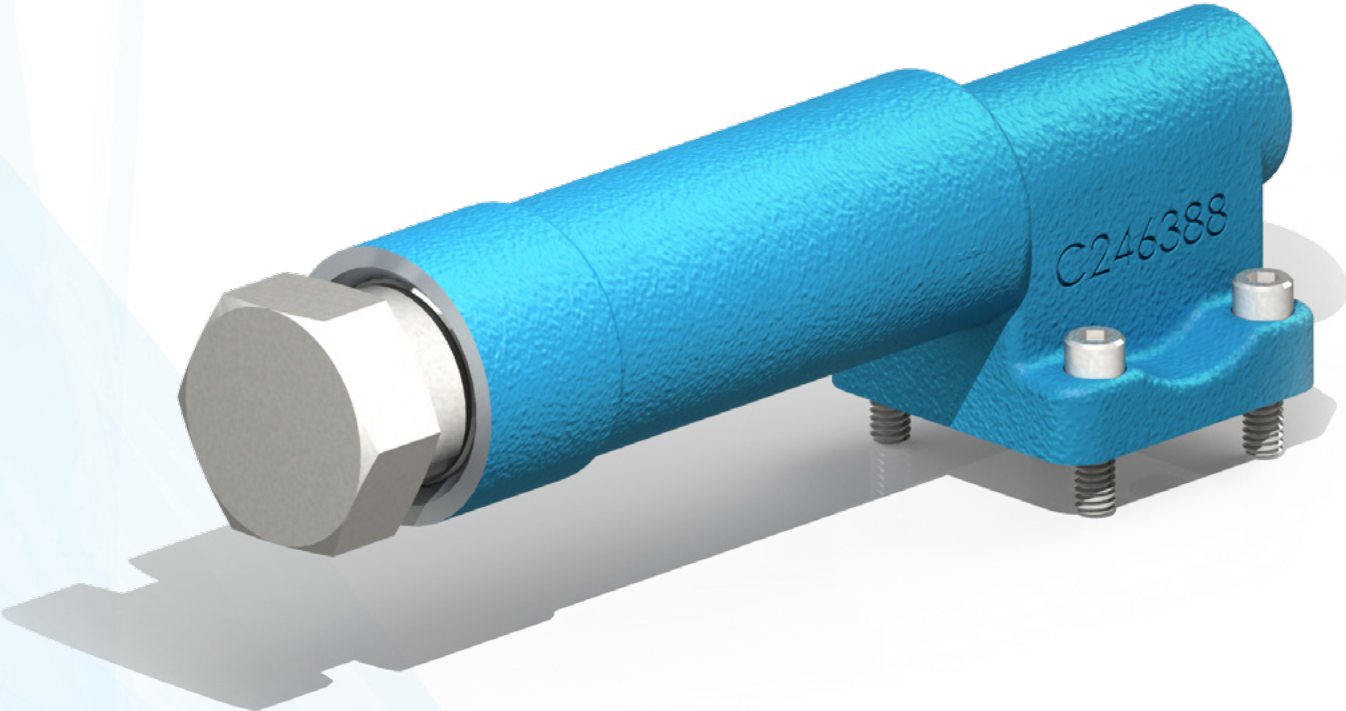
ITEM	PART NUMBER		QTY	NOTE	DESCRIPTION
	Panagon	OEM			
1	PS576862	932964	1		Pressure Compensator Body
2	PS83428	392175	1		Adjusting Plug
3	PS91024	937039	1		Jam Nut
4	PS37	239371	1	B	Spring
4	PS45	265693	1	C	Spring
5	PS36	234204	1		Seat
6	PS35	356986	1		Spool
7	PS8123	115046-002	1		O-Ring Plug #2
8	PS1485	010358	4		Socket Head Cap Screw
9	PS90309	913451	1	A	Gasket
10	PS5813533	104166-011	1	A	O-Ring
11	PS136585	154124	1	A	O-Ring
12	PS134800	173792	1	A	O-Ring
13	PS5811360	8770-015	1	A	Back Up Ring

A Included in PS990 / 919682 Seal Kit  
(F3 equivalent PS1015 / 919686)

B (C) Compensators Only

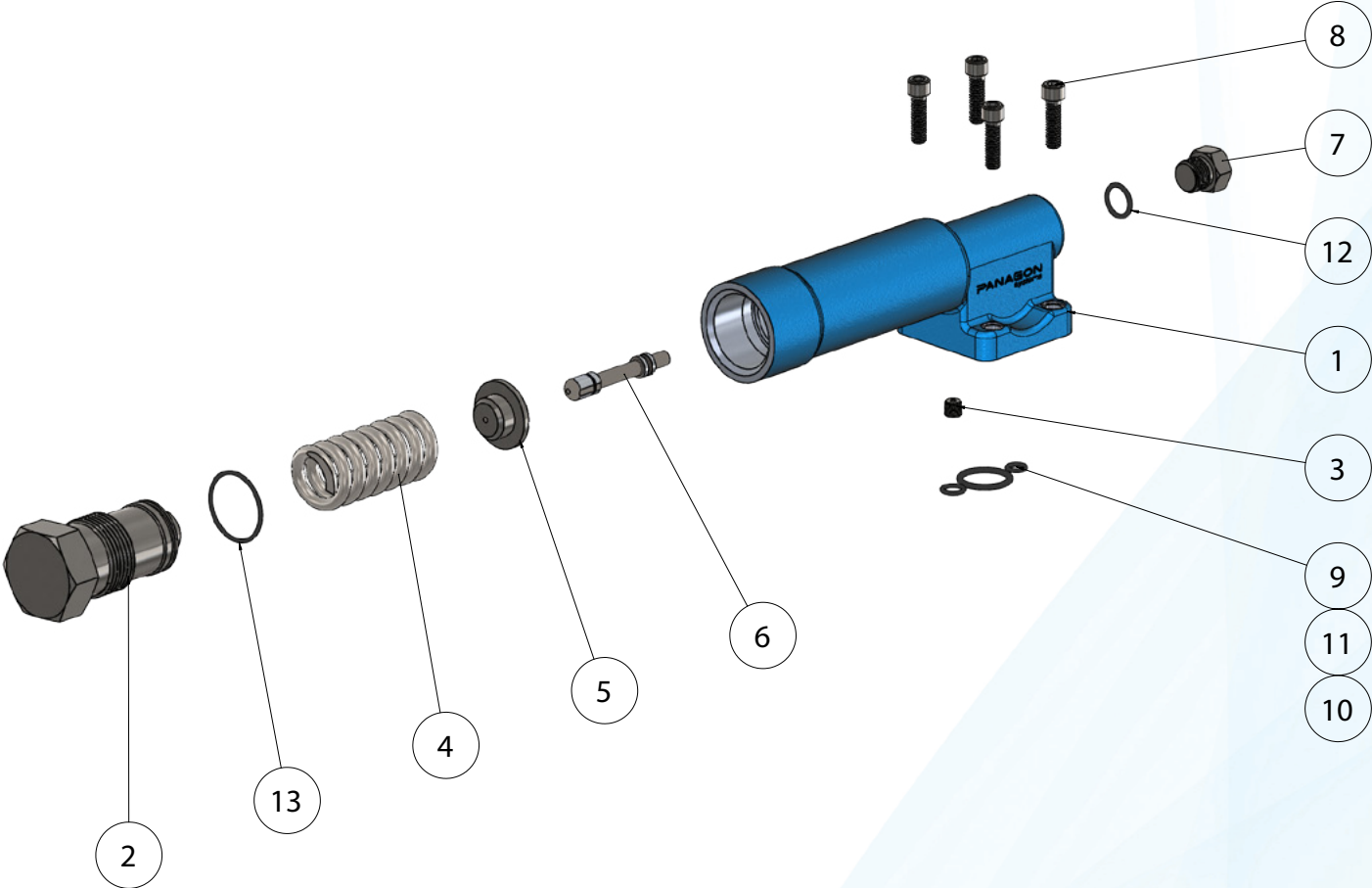
C (CM) Compensators Only







Model PVB 45

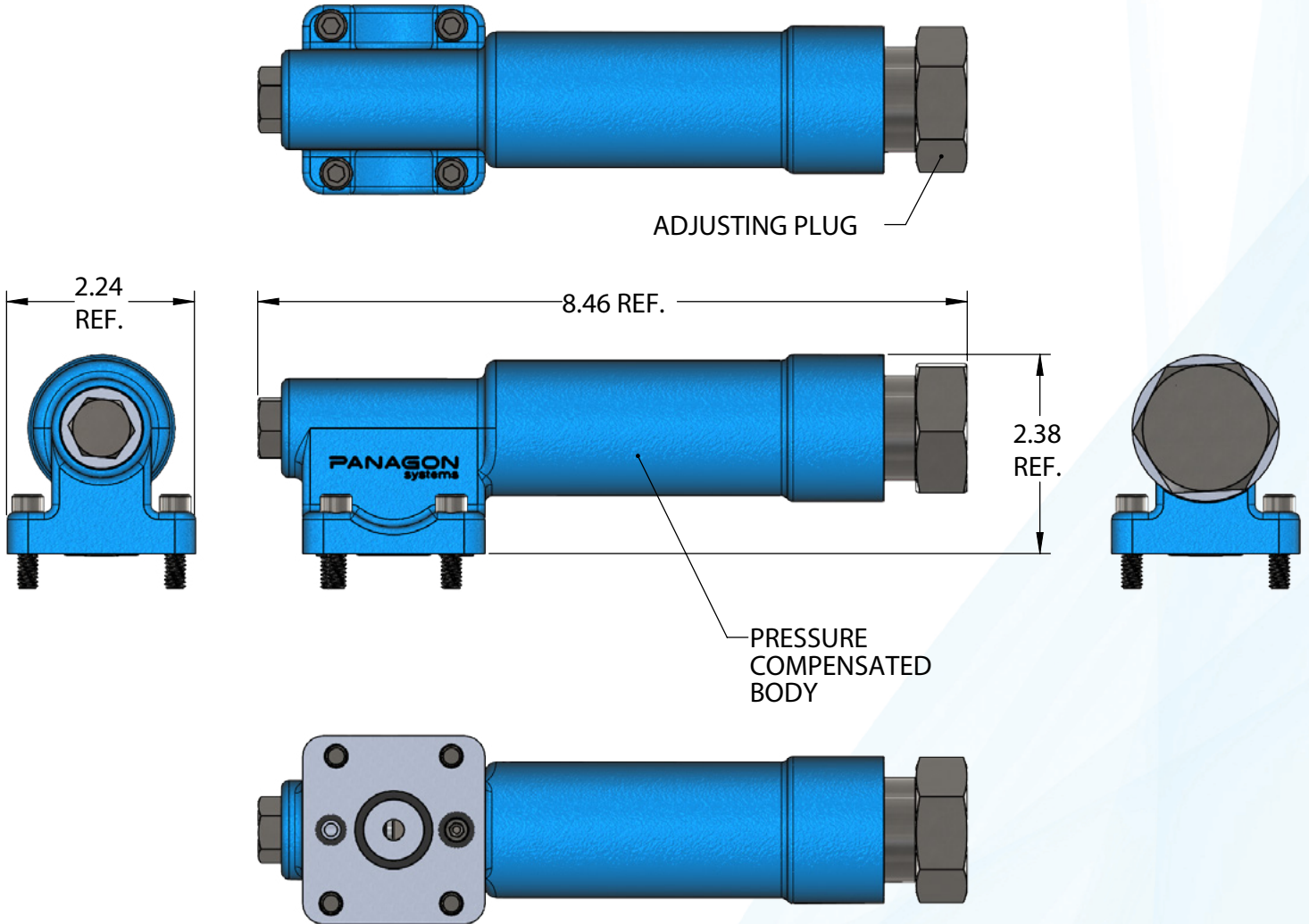


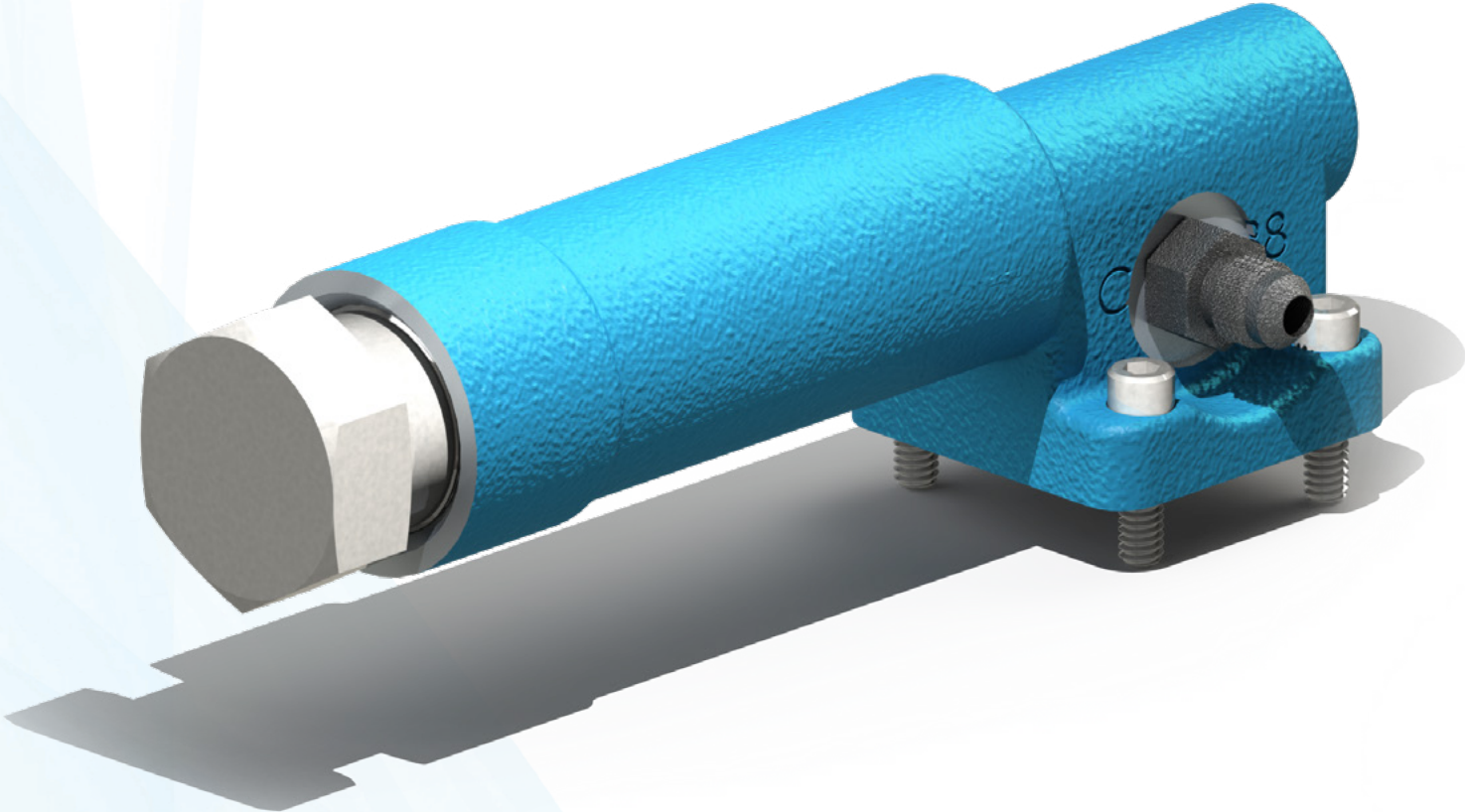
## Model PVB 45

ITEM	PART NUMBER		QTY	NOTE	DESCRIPTION
	Panagon	OEM			
1	PS3218	247355	1		Pressure Compensator Body
2	PS3216	297950	1		Adjusting Plug
3	PS80383	082031	1		NPT Plug
4	PS3217	245087	1	A	Spring
4	PS3222	285870	1	B	Spring
5	PS2105	247354	1		Seat
6	PS3220	341114	1		Spool
7	PS5810893	115046-006	1		O-Ring Plug #6
8	PS3219	001031	4		Socket Head Cap Screw
9	PS5813533	104166-011	1		O-Ring
10	PS134770	262330	1		O-Ring
11	PS134812	104166-016	1		O-Ring
12	PS136618	396096	1		O-Ring
13	PS134868	262344	1		O-Ring

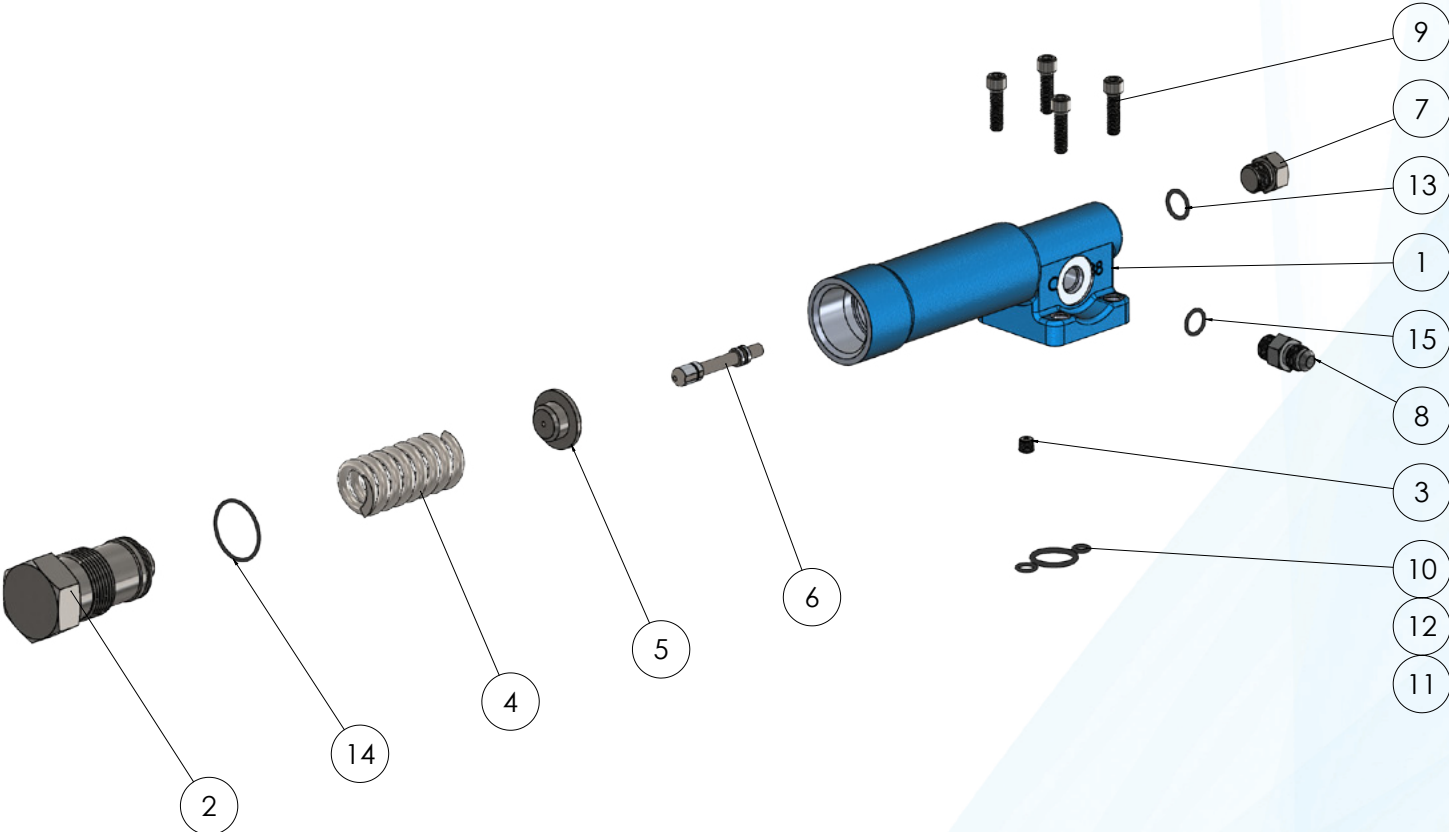
A (C) Compensators Only

B (CM) Compensators Only





Model PVB 90

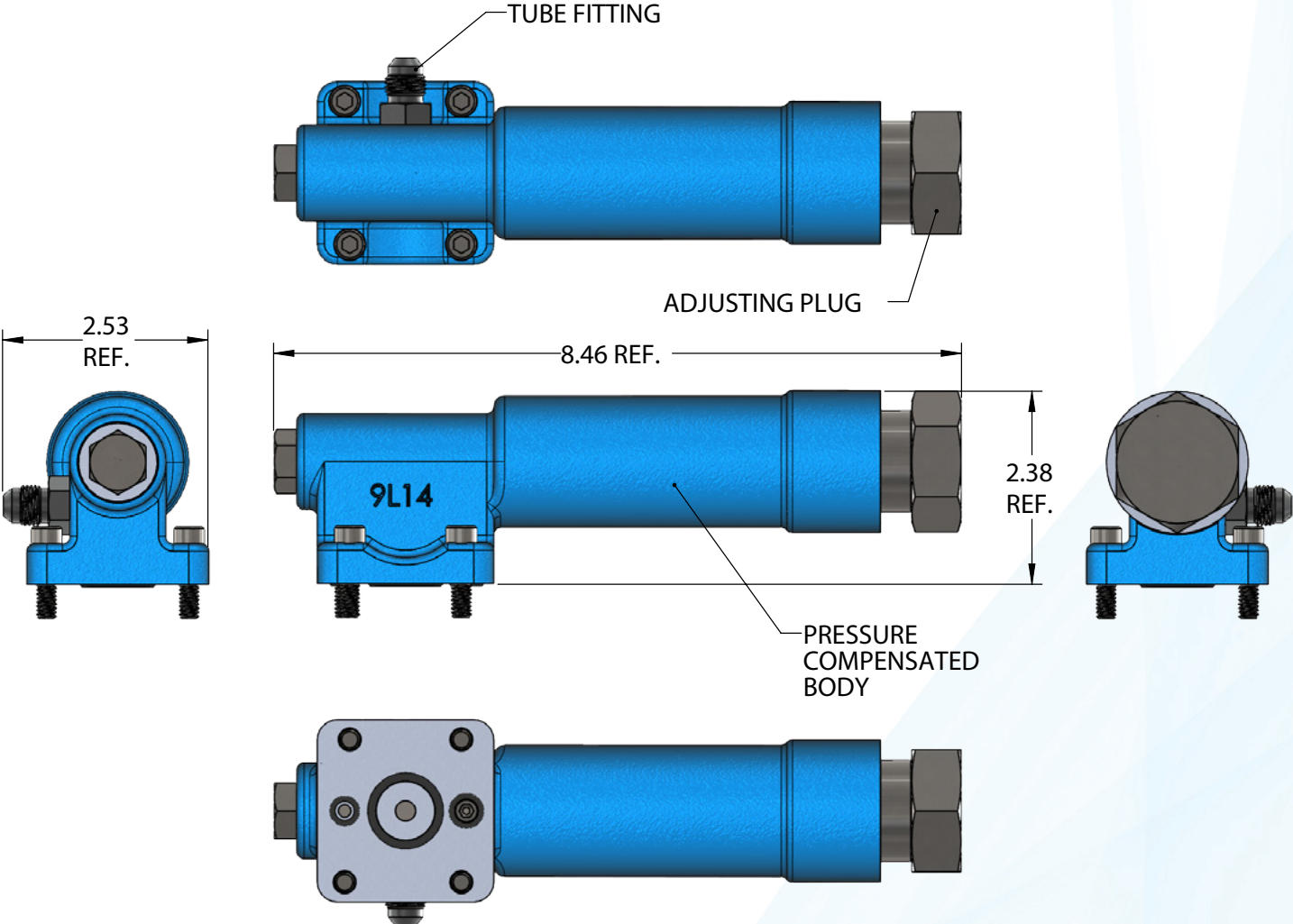


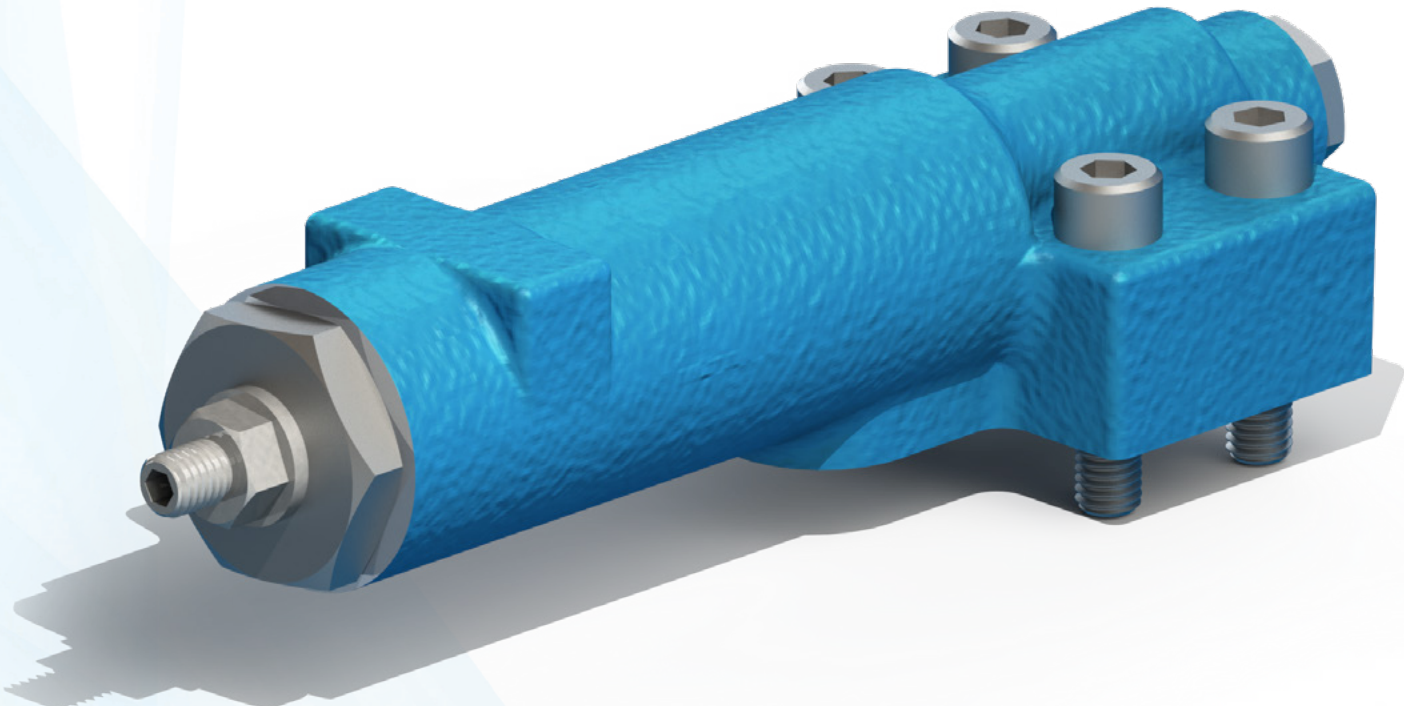
## Model PVB 90

ITEM	PART NUMBER		QTY	NOTE	DESCRIPTION
	Panagon	OEM			
1	PS3225	307244	1		Pressure Compensator Body
2	PS3216	297950	1		Adjusting Plug
3	PS80383	082031	1		NPT Plug
4	PS3217	245087	1	A	Spring
4	PS3222	285870	1	B	Spring
5	PS2105	247354	1		Seat
6	PS3220	341114	1		Spool
7	PS5810893	115406-006	1		O-Ring Plug
8	PS81063	187003	1		Fitting
9	PS3219	001031	4		Socket Head Cap Screw
10	PS5813533	104166-011	1		O-Ring
11	PS134770	262330	1		O-Ring
12	PS134812	104166-016	1		O-Ring
13	PS136618	396096	1		O-Ring
14	PS134868	262344	1		O-Ring
15	PS136611	263495	1		O-Ring

A (C) Compensators Only

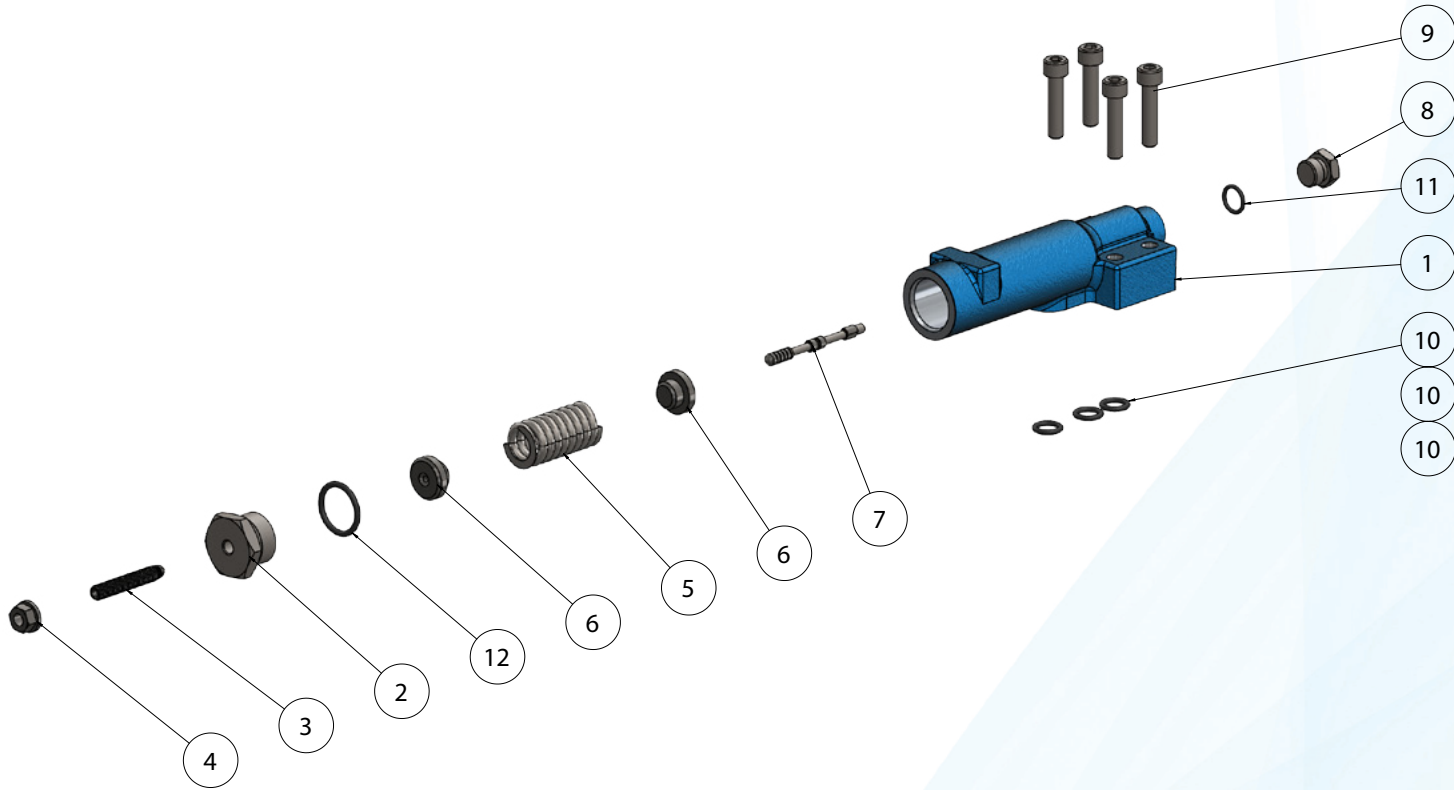
B (CM) Compensators Only







Model PVH

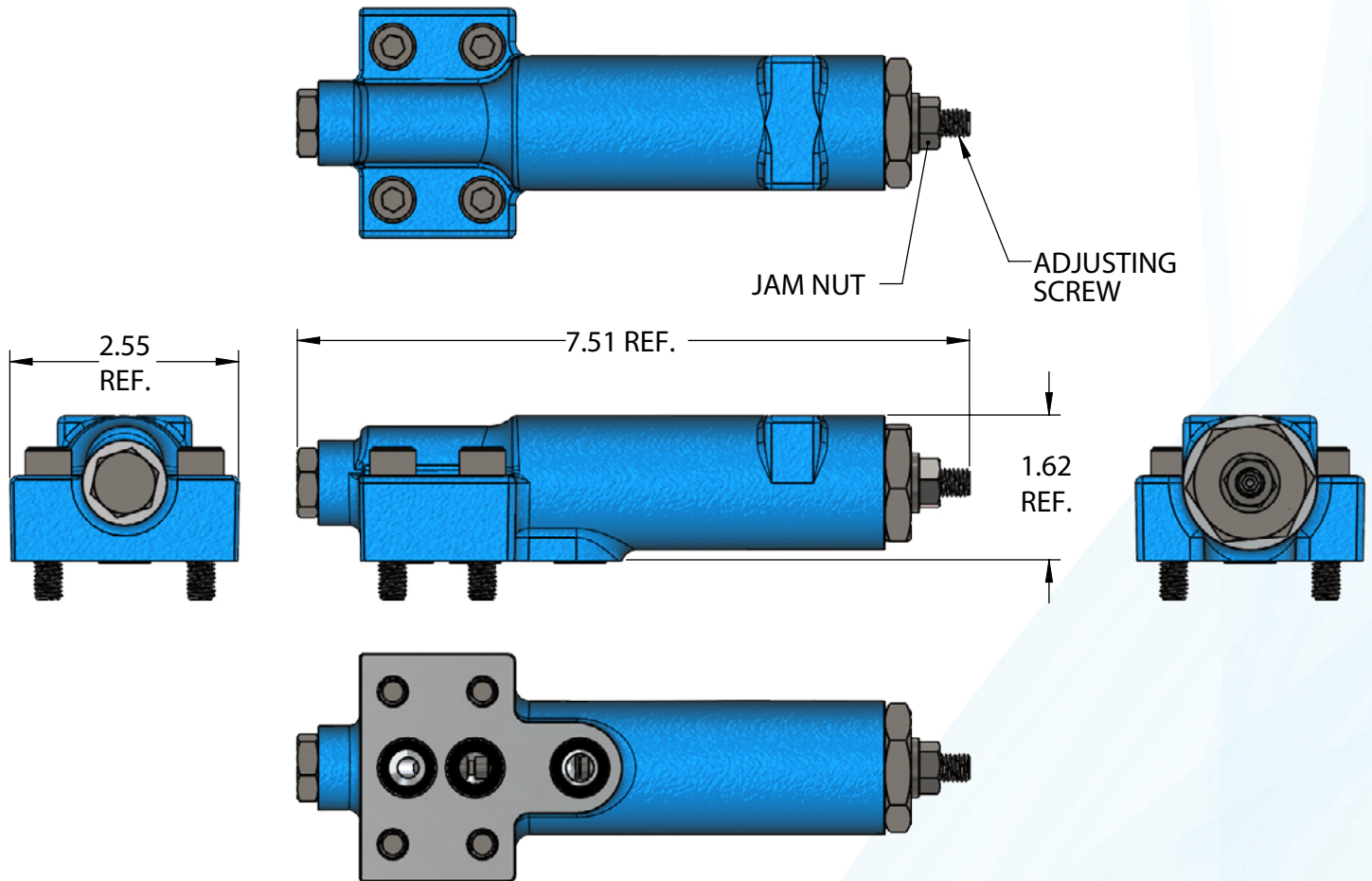


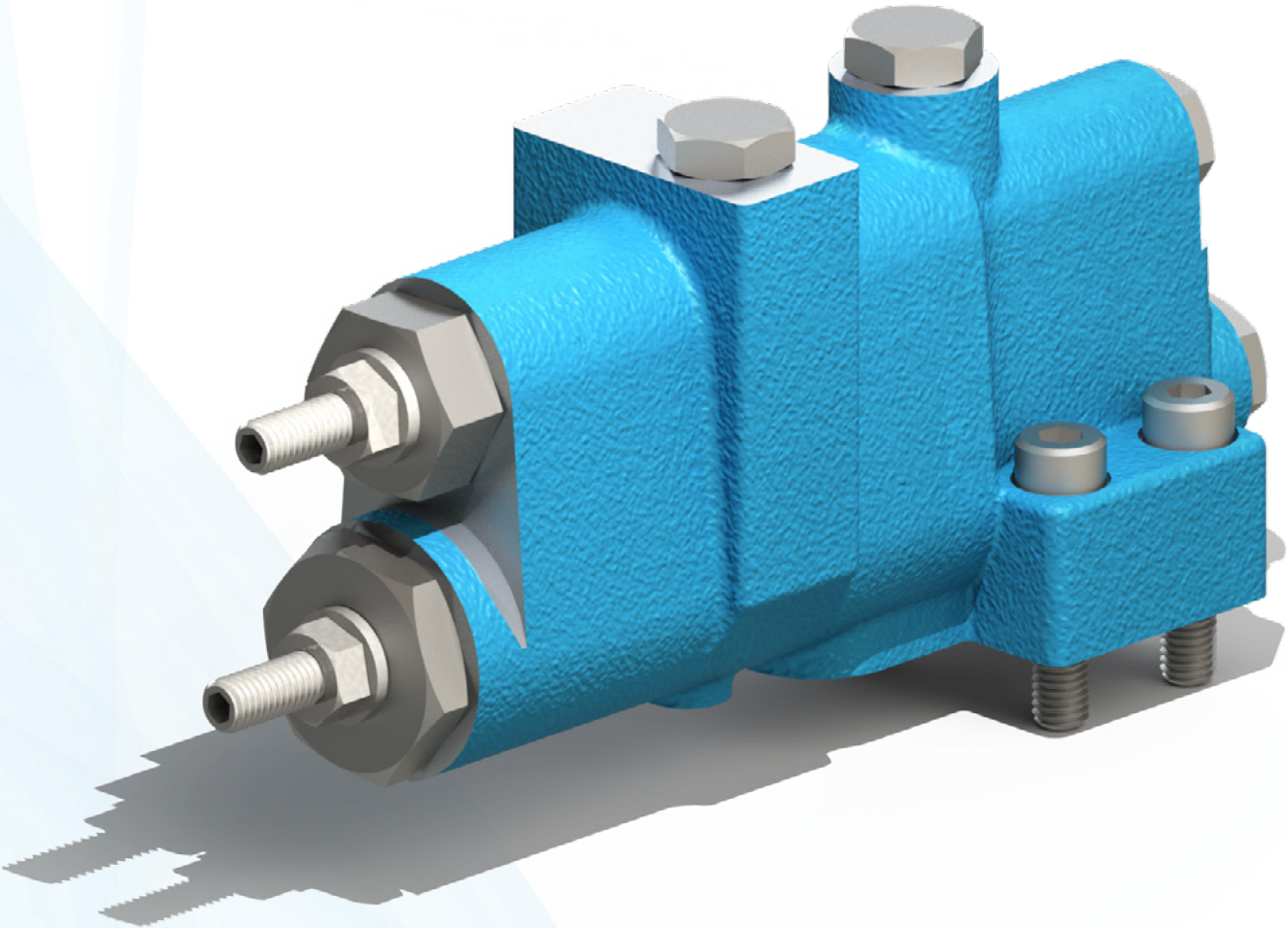
## Model PVH

ITEM	PART NUMBER		QTY	NOTE	DESCRIPTION
	Panagon	OEM			
1	PS3253	857722	1		Pressure Compensator Body
2	PS3256	860749	1		Adjusting Plug
3	PS3255	860750	1		Adjusting Screw
4	PS3257	860747	1		Adjusting Nut
5	PS3254	857681	1	A	Spring
5	PS3262	857675	1	B	Spring
6	PS3258	857734	2		Seat
7	PS3260	857672	1		Spool
8	PS3261	627391	1		O-Ring Plug
9	PS3259	114975-035	4		Socket Head Cap Screw
10	PS135119	4992737-111	3		O-Ring
11	PS136618	396096	1		O-Ring
12	PS136660	396102	1		O-Ring

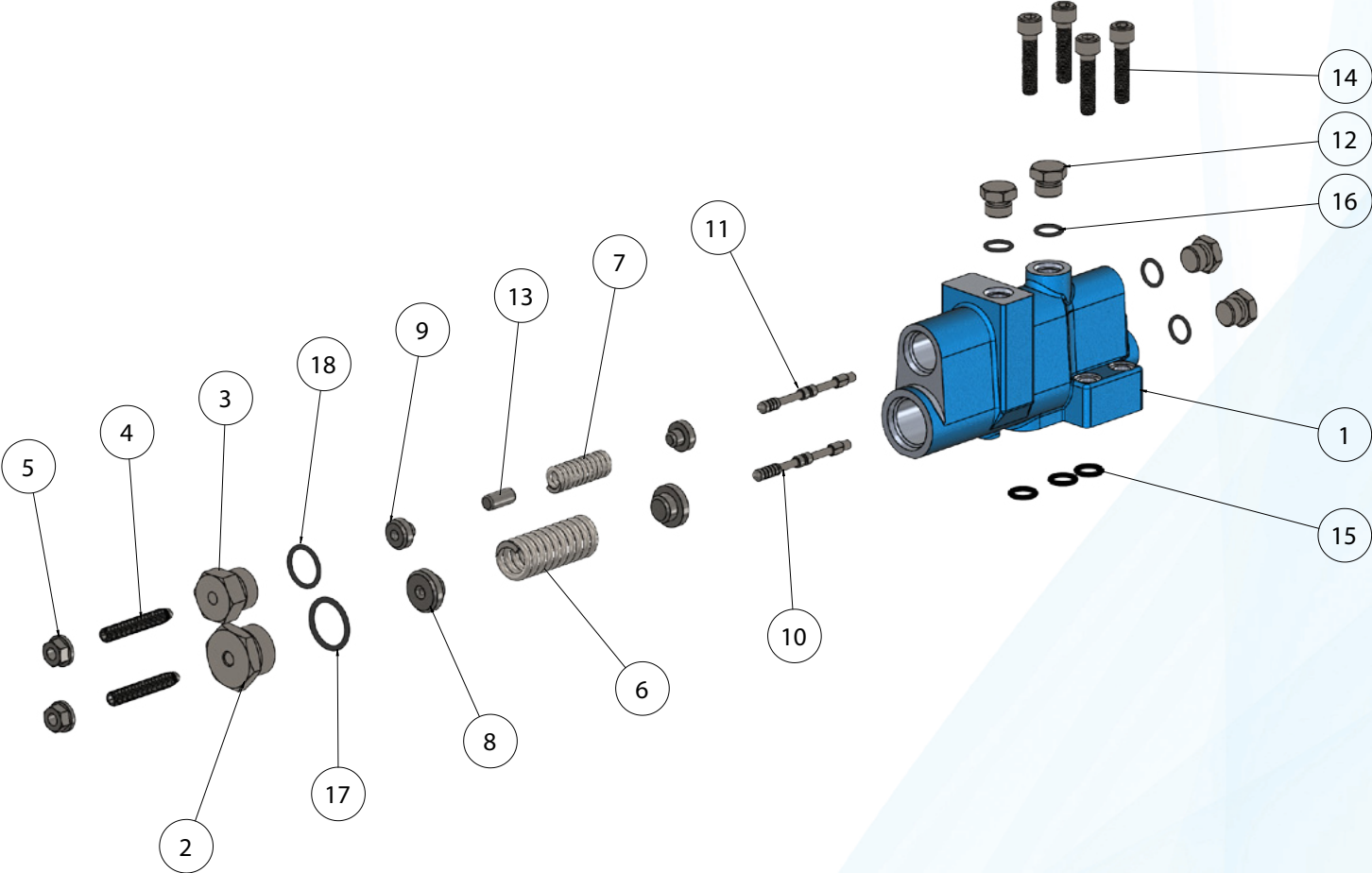
A (C) Compensators Only

B (CM) Compensators Only





Model PVH CV



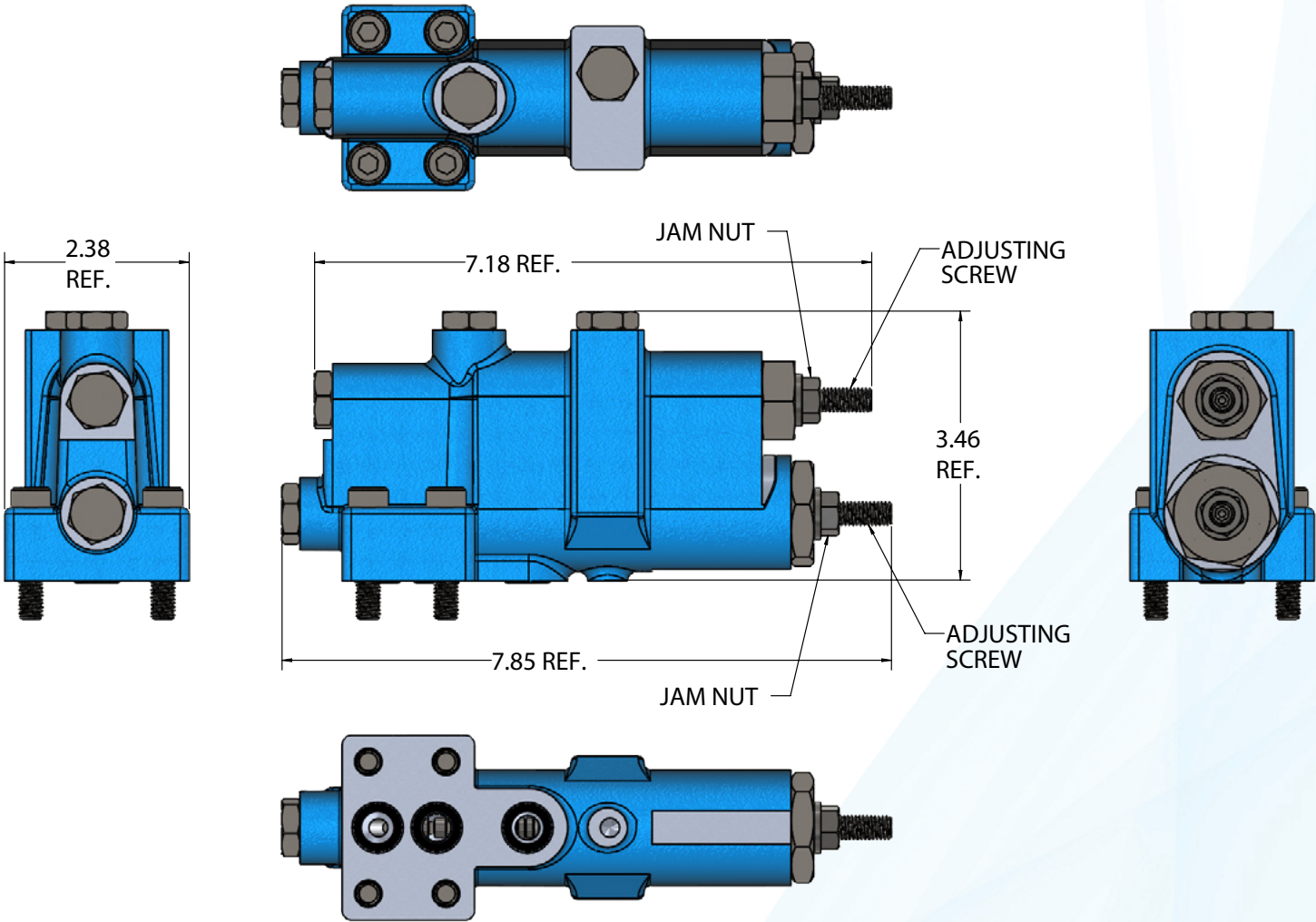
## Model PVH CV

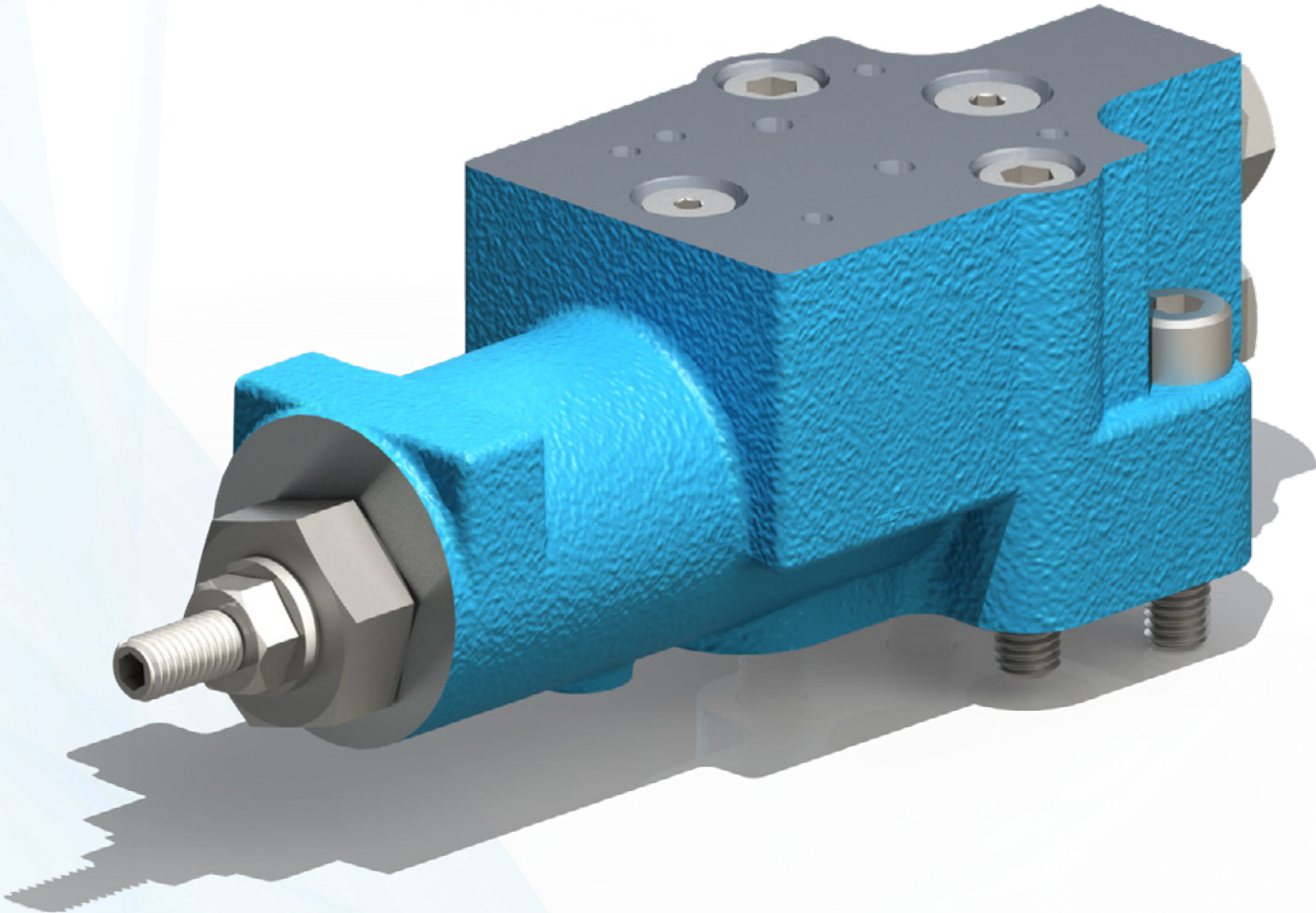
ITEM	PART NUMBER		QTY	NOTE	DESCRIPTION
	Panagon	OEM			
1	PS5906	857733	1	B	Pressure Compensator Body
1	PS103881	928442	1	C	Pressure Compensator Body
2	PS3256	860749	1		Adjusting Plug
3	PS5902	860748	1		Adjusting Plug
4	PS3255	860750	2		Adjusting Screw
5	PS3257	860747	2		Adjusting Nut
6	PS3254	857681	1	B	Spring
6	PS3262	857675	1	C	Spring
7	PS5905	857688	1		Spring
8	PS3258	857734	2		Seat
9	PS5903	857674	2		Seat
10	PS3260	857672	1		Spool
11	PS5907	857673	1		Spool
12	PS3261	627391	4		O-Ring Plug
13	PS5904	857679	1		Pin
14	PS3259	114975-035	4		Socket Head Cap Screw
15	PS135119	4992737-111	3	A	O-Ring
16	PS136618	396096	4	A	O-Ring
17	PS136660	396102	1	A	O-Ring
18	PS136641	154130	1	A	O-Ring

A (CV) Compensators Only

B (CVB) Compensators Only

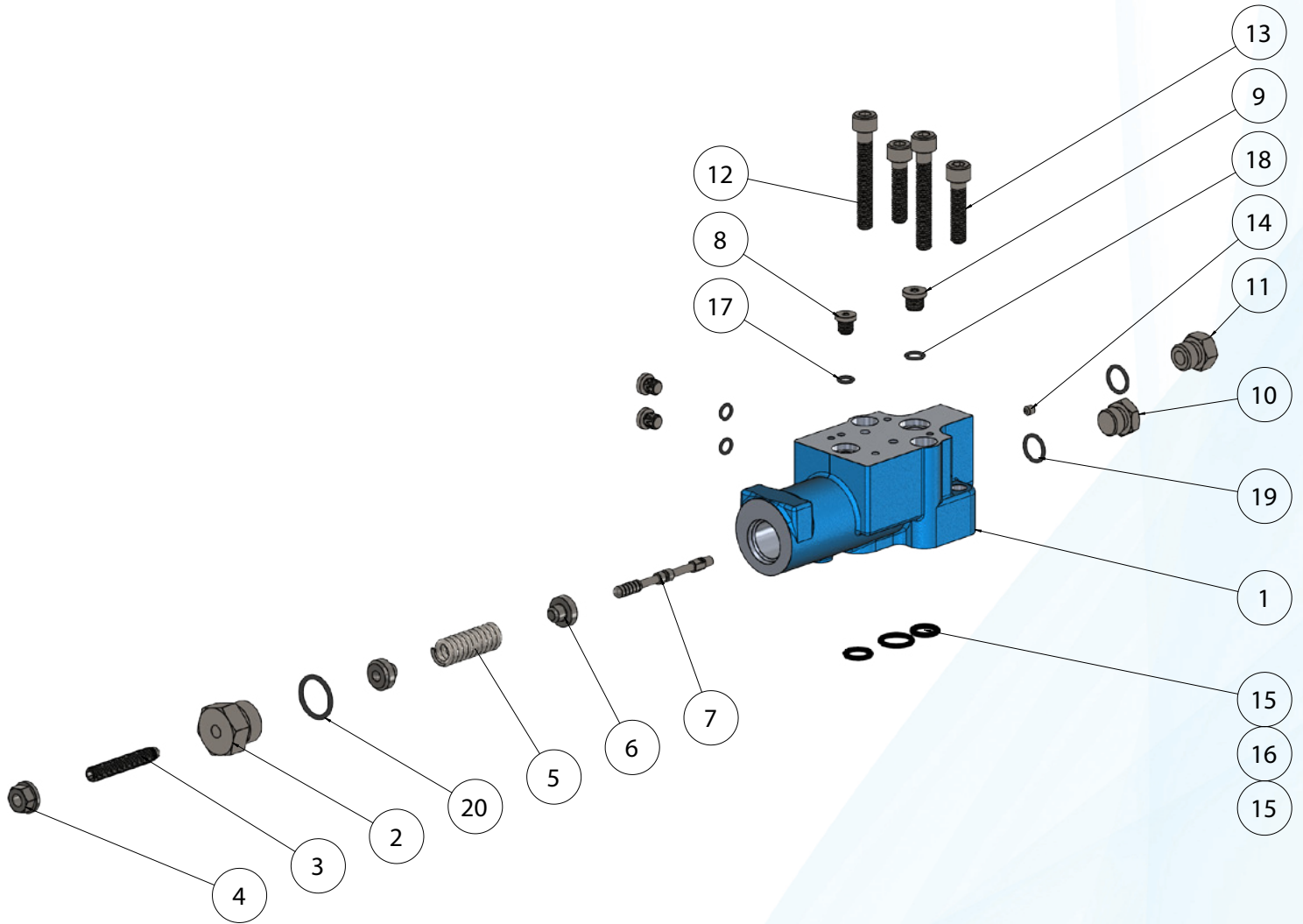
C (CMV) Compensators Only







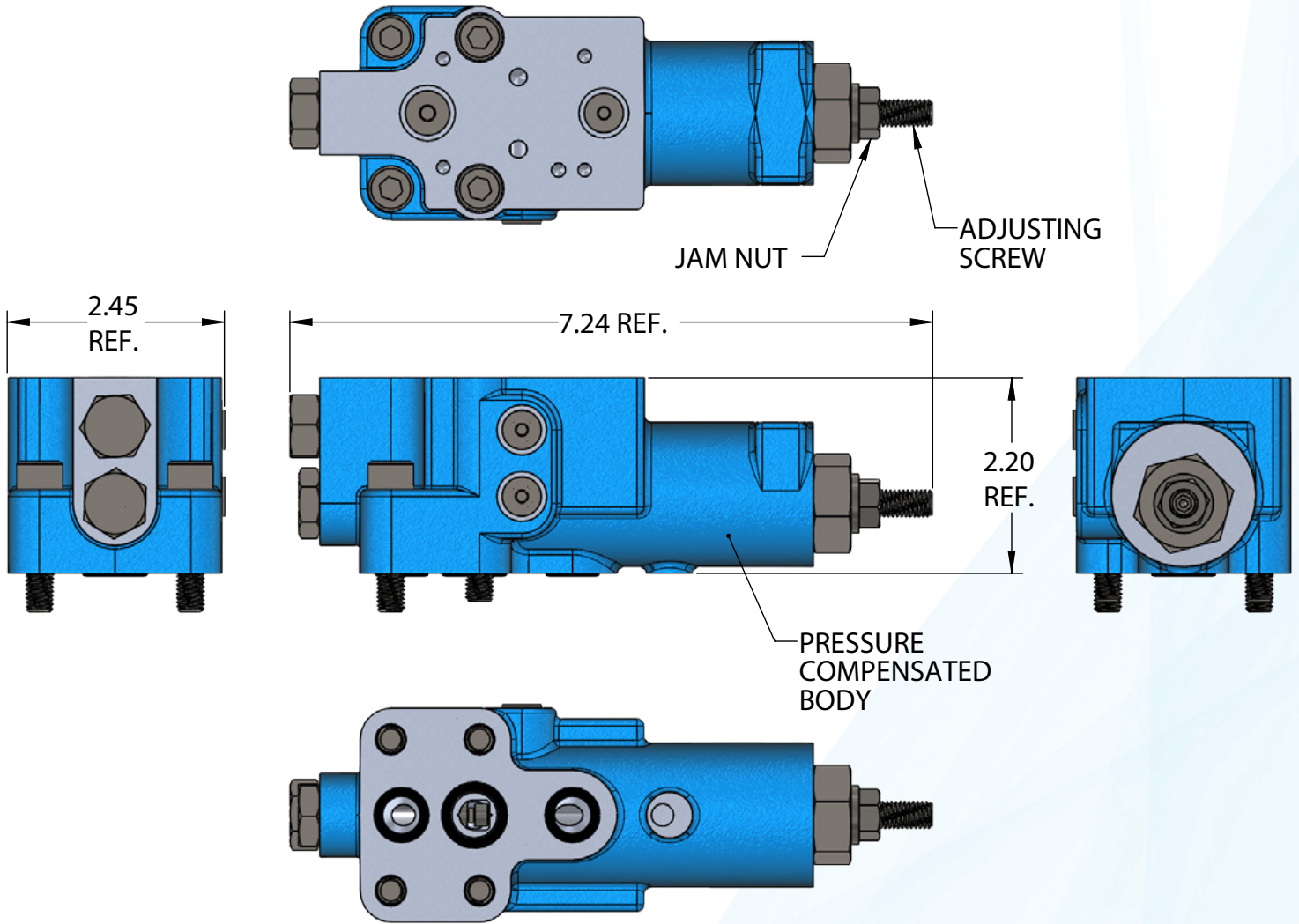
## Model PVH IC

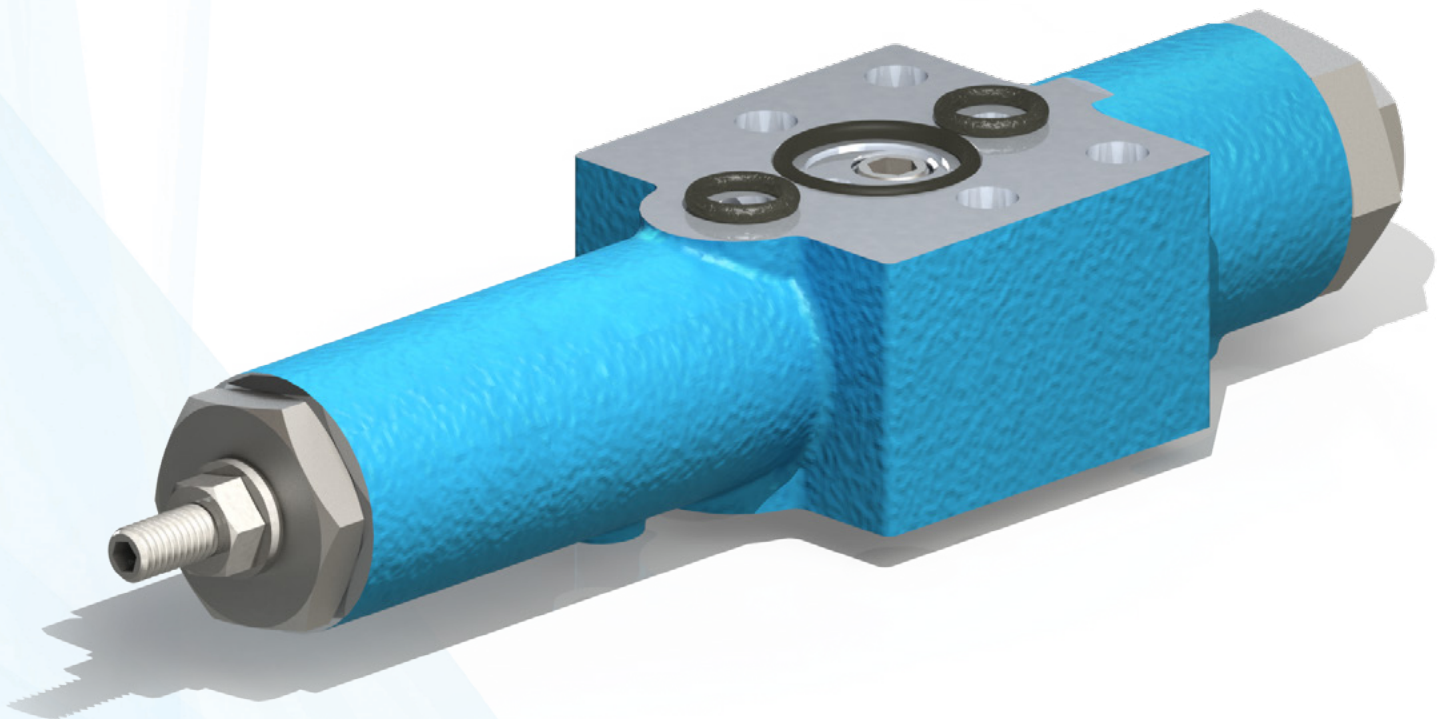


## Model PVH IC

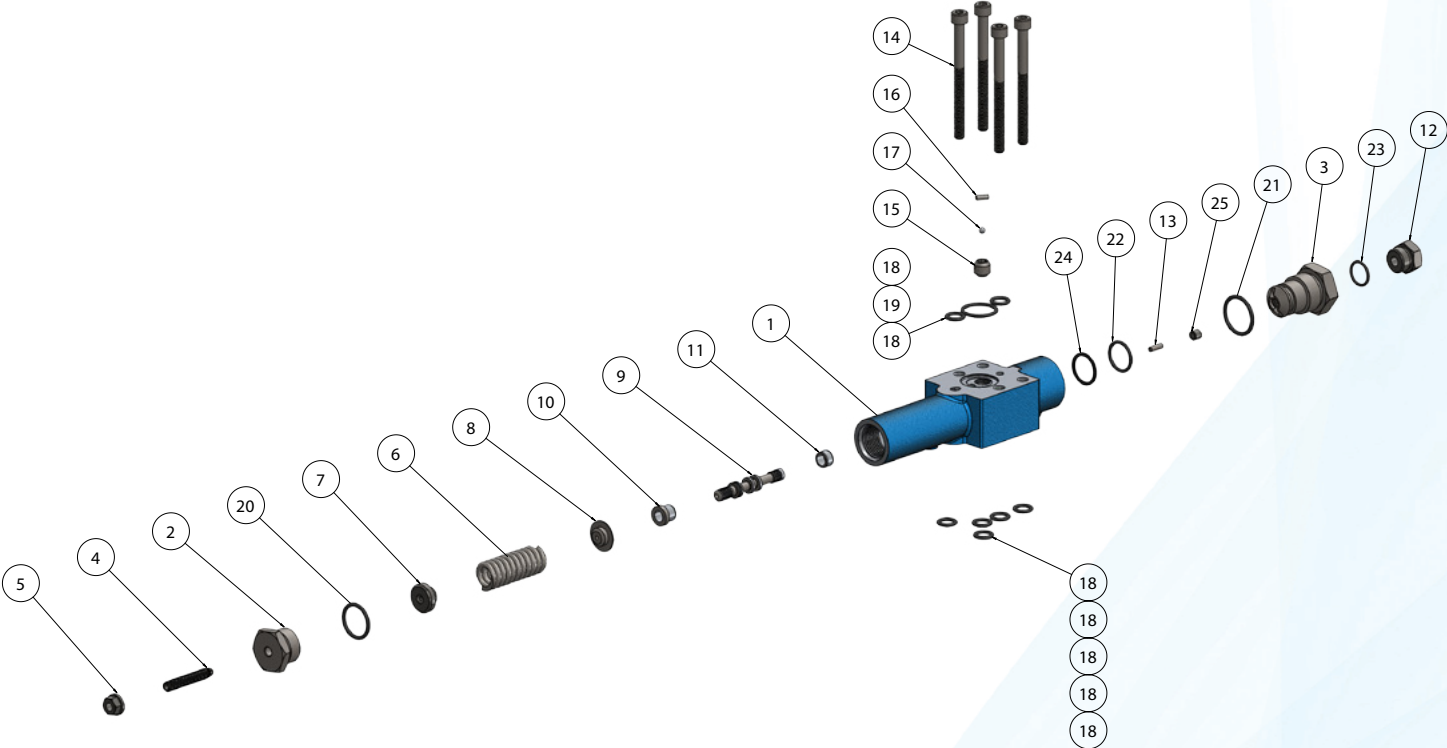
ITEM	PART NUMBER		QTY	NOTE	DESCRIPTION
	Panagon	OEM			
1	PS5981	883386	1	A	Pressure Compensator Body
1	PS5982	860628	1	B	Pressure Compensator Body
2	PS5902	860748	1		Adjusting Plug
3	PS3255	860750	1		Adjusting Screw
4	PS3257	860747	1		Adjusting Nut
5	PS5905	857688	1		Spring
6	PS5903	857674	2		Seat
7	PS5986	939816	1		Spool
8	PS8123	115046-002	3		O-Ring Plug
9	PS5984	407533	1		O-Ring Plug
10	PS3261	627391	1		O-Ring Plug
11	PS1504	181728	1		O-Ring Plug
12	PS5983	473769	2		Socket Head Cap Screw
13	PS3259	473765	2		Socket Head Cap Screw
14	PS89001	860566	1		Orifice Plug
15	PS135119	4992737-111	2		O-Ring
16	PS135133	216630	1		O-Ring
17	PS136585	154124	3		O-Ring
18	PS136592	396093	1		O-Ring
19	PS136618	396096	2		O-Ring
20	PS136641	154130	1		O-Ring

- A PS3251 - 02-151904 Compensators Only (inch)
- B PS3252 - 02-151905 Compensators Only (metric)





Model PVH T



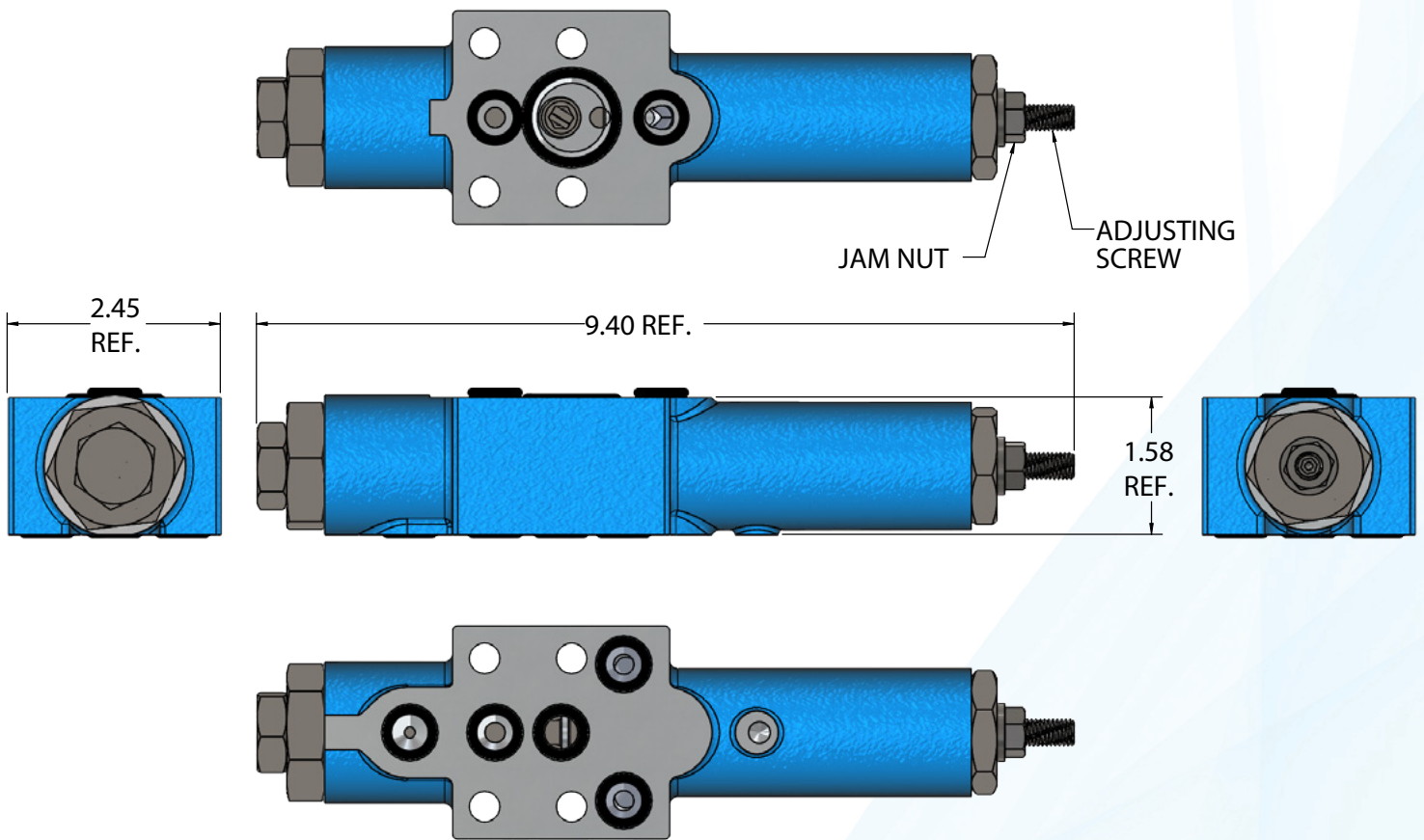
## Model PVH T

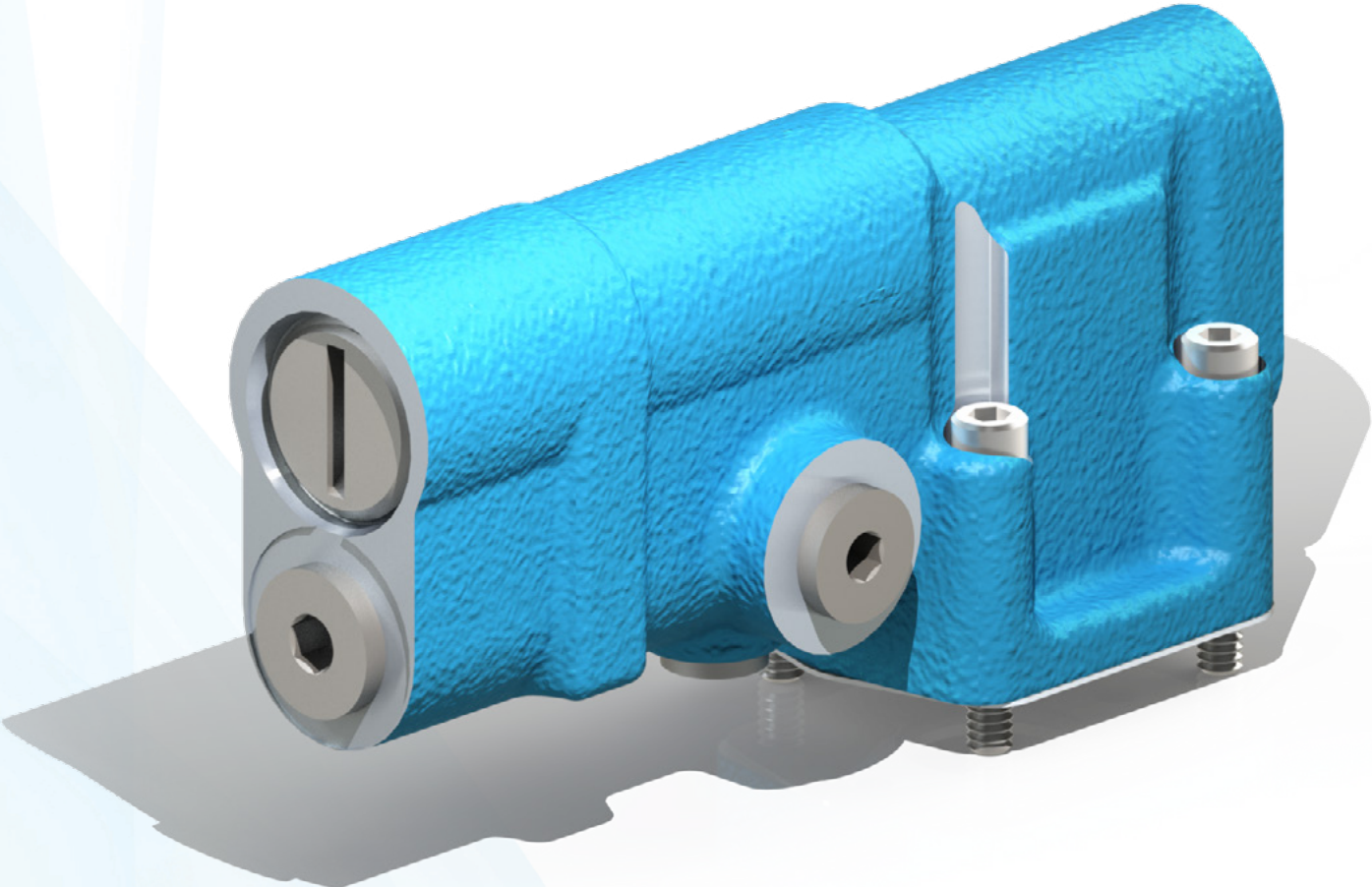
ITEM	PART NUMBER		QTY	NOTE	DESCRIPTION
	Panagon	OEM			
1	PS103893	860653	1		Pressure Compensator Body
2	PS3256	860749	1		Adjusting Plug
3	PS103901	860655	1		Adjusting Plug
4	PS3255	860750	1		Adjusting Screw
5	PS3257	860747	1		Adjusting Nut
6	PS3262	857675	1	B	Spring
6	PS3254	857681	1	C	Spring
7	PS3258	857734	1		Seat
8	PS103898	928388	1		Seat
9	PS103894	913454	1		Spool
10	PS103900	913453	1		Spool Guide
11	PS103892	577639	1		Spool Guide
12	PS198	186580	1		O-Ring Plug
13	PS103905	248845	1		Torque Pin
14	PS84398	473773	4		Socket Head Cap Screw
15	PS5815785	937272	1		Check Valve Screw
16	PS5815787	471627	1		Check Valve Pin
17	PS5815786	001649	1		Check Valve Ball
18	PS135119	4992737-111	7	A	O-Ring
19	PS135171	170441	1	A	O-Ring
20	PS136660	396102	1	A	O-Ring
21	PS136669	184197	1	A	O-Ring
22	PS135162	262356	1	A	O-Ring
23	PS136632	263497	1	A	O-Ring
24	PS5818766	11500-117	1	A	Backup Ring
25	PS80383	082031	1		Orifice Plug

A Included in PS3143 / 02-102264 Seal Kit

B T\*\*-31 Compensators Only

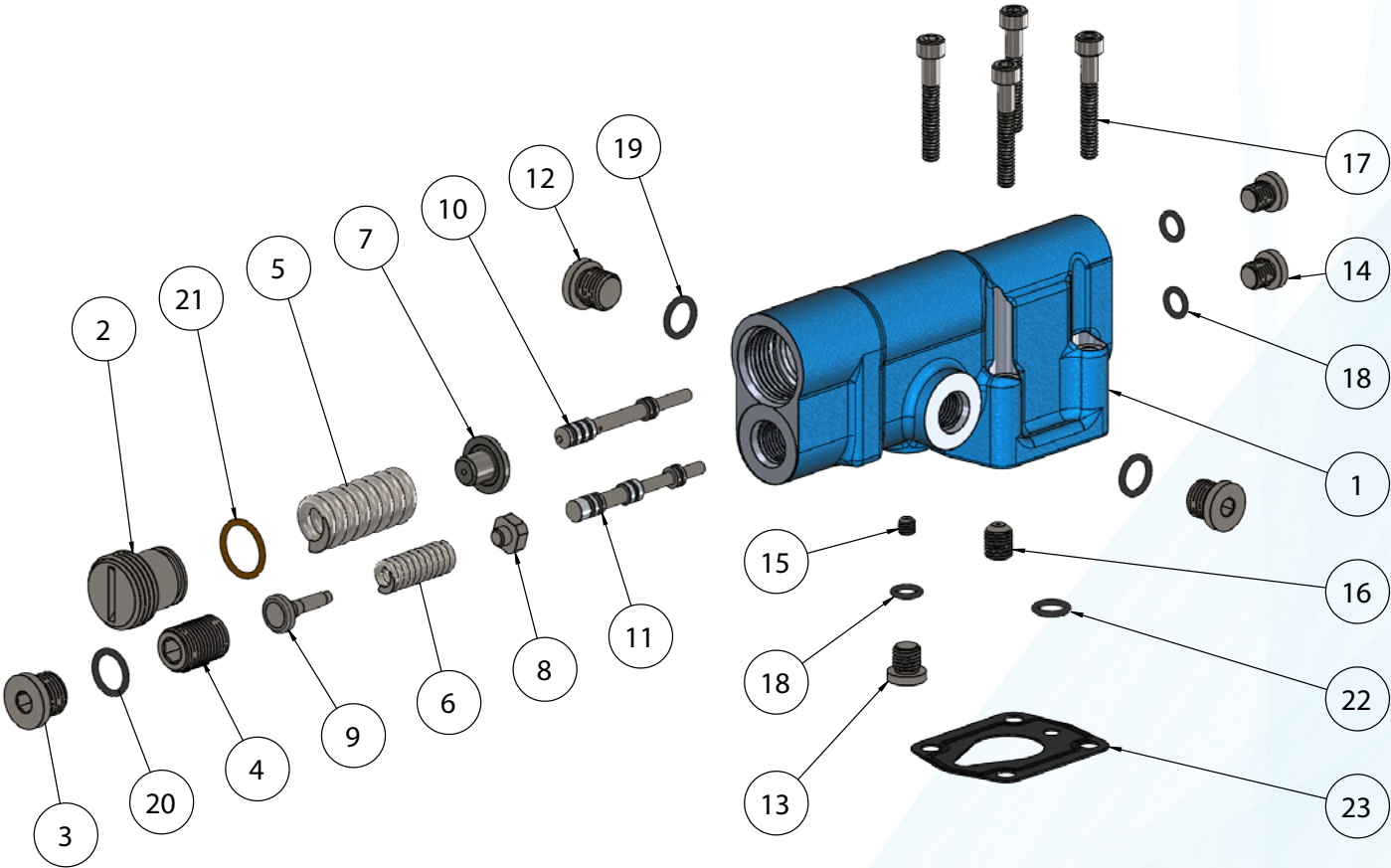
C T\*\*S-31 Compensators Only







Model PVE CVP

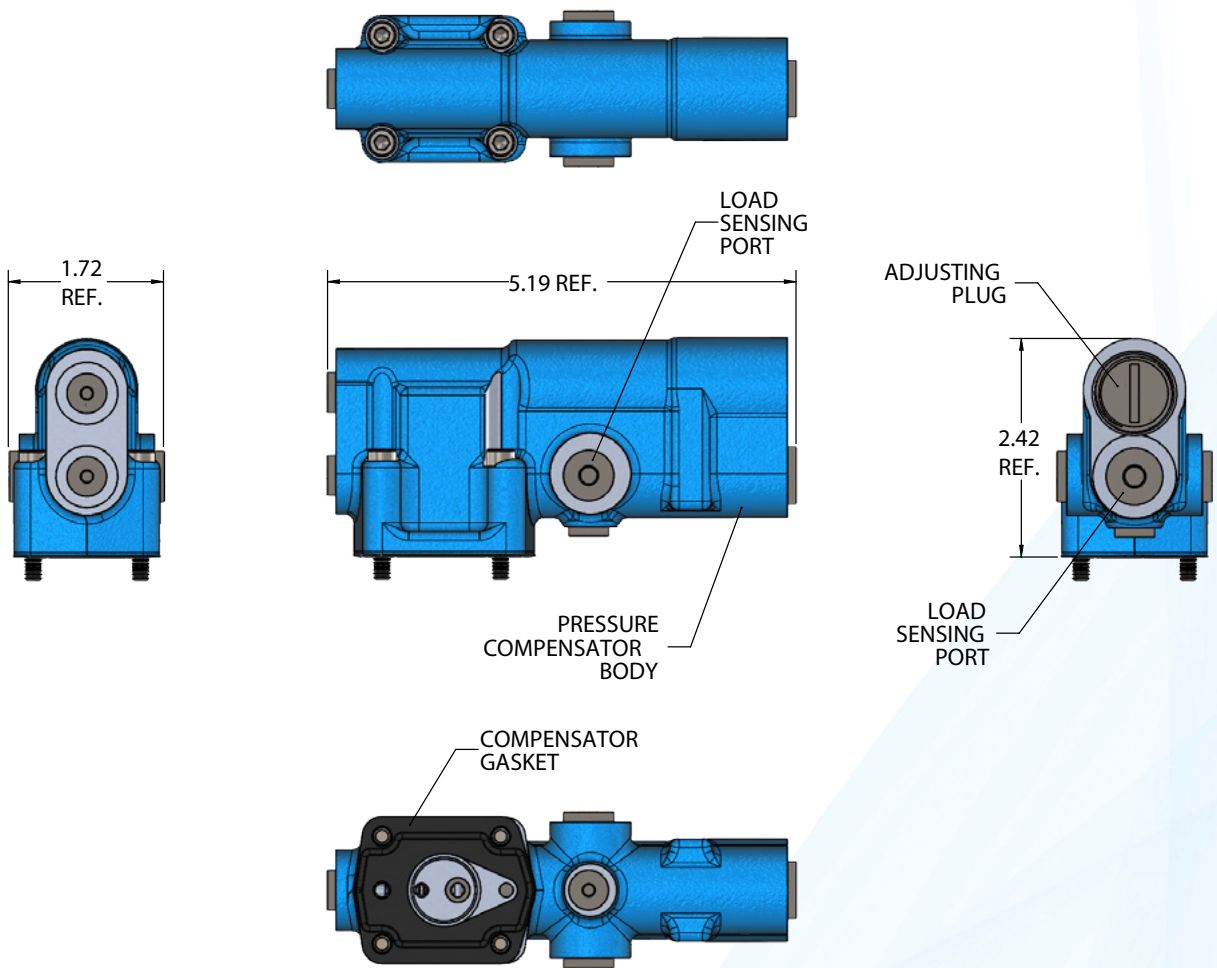


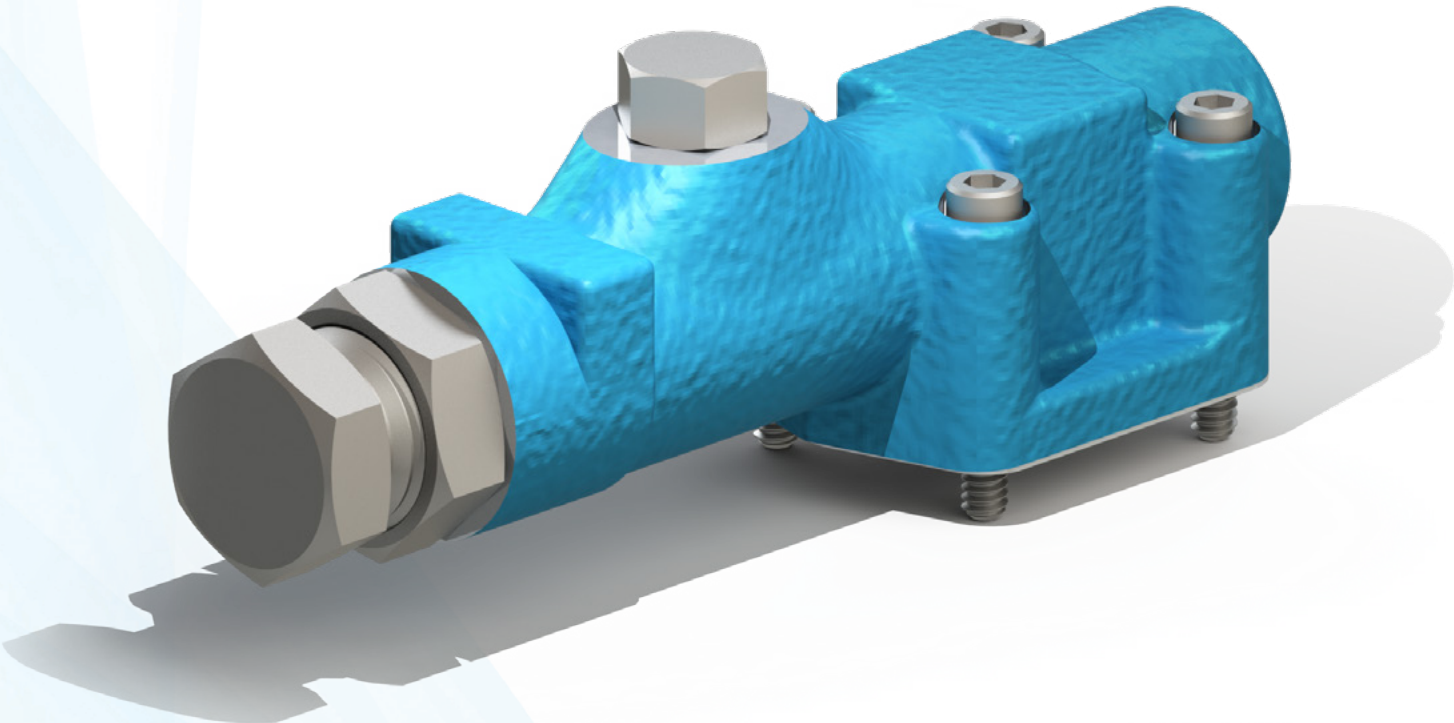
## Model PVE CVP

ITEM	PART NUMBER		QTY	NOTE	DESCRIPTION
	Panagon	OEM			
1	PS117265	932965	1		Pressure Compensator Body
1	PS577465	500815	1		Pressure Compensator Body
2	PS2265	241621	1		Adjusting Plug
3	PS2246	363889	1		O-Ring Plug
4	PS2247	585164	1		Adjusting Screw
5	PS37	239371	1		Spring
6	PS2210	581073	1	D	Spring
6	PS2211	581072	1	E	Spring
7	PS36	234204	1		Seat
8	PS2249	596359	1		Seat
9	PS2248	596366	1		Seat
10	PS2245	422233	1		Spool
11	PS2250	422234	1		Spool
12	PS2254	343740	2		O-Ring Plug
13	PS8123	398071	1		O-Ring Plug
14	PS8123	398071	1	B	O-Ring Plug
14	PS192	113000	1	C	NPT Plug
15	PS2251	433543	1		Plug
16	PS2252	924040	1		Check Valve
17	PS1485	010358	4		Socket Head Cap Screw
18	PS136585	154124	1	A	O-Ring
18	PS136585	154124	1	A/B	O-Ring
19	PS136599	154126	2	A	O-Ring
20	PS136606	154127	1	A	O-Ring
21	PS134805	262335	1	A	O-Ring
22	PS134777	262331	1	A	O-Ring
23	PS90309	913451	1	A	Gasket

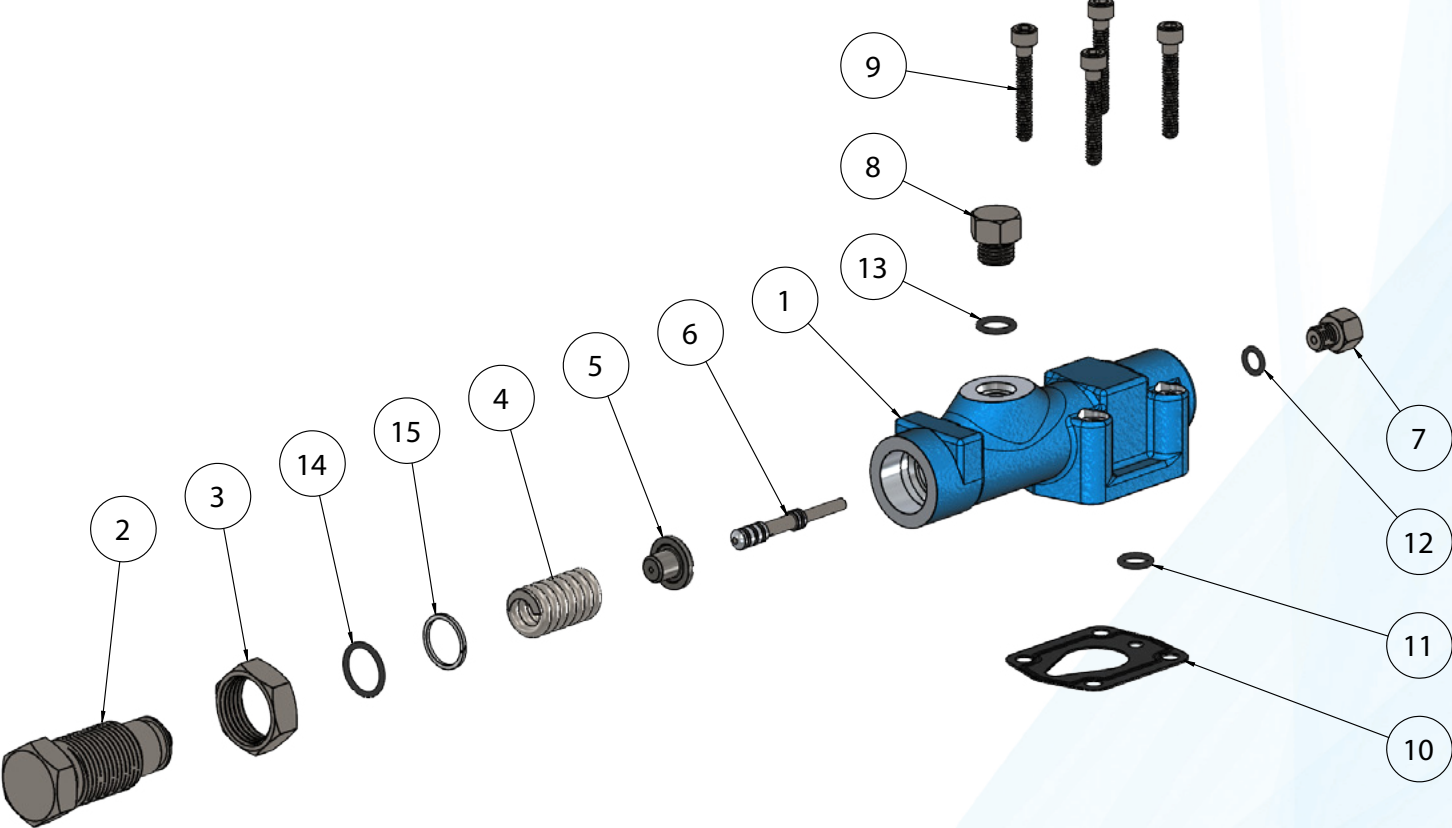
- A Included in PS1420 / 923989 Seal Kit
- B Used in PS117265 / 932965 Body only
- C Used in PS577465 / 500815 Body only
- D Used in CVP 160 psi
- E Used in CVPC 350 psi

**NOTE:** PS117265 / 932965 body shown in exploded view





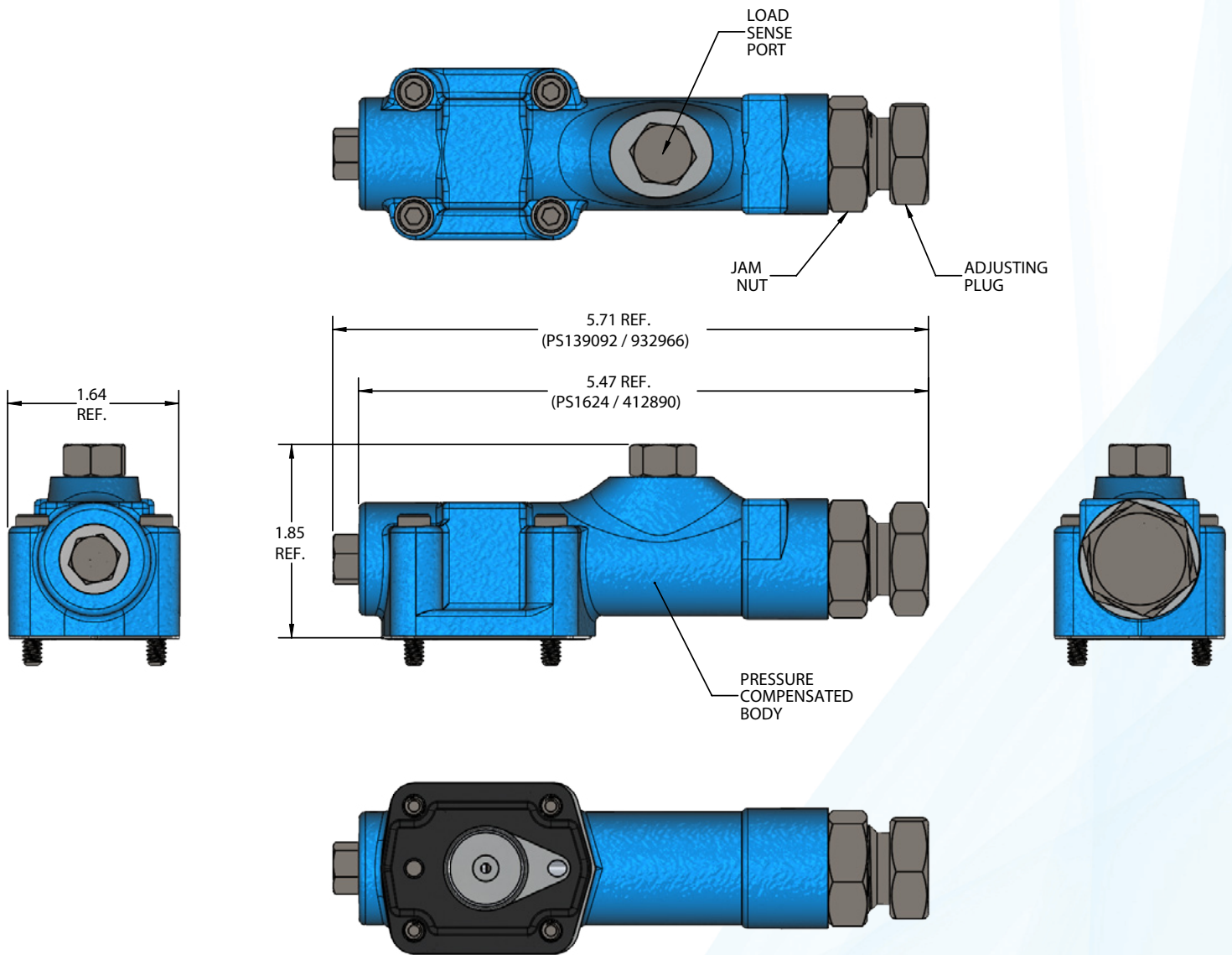
Model PVE CG-CV



## Model PVE CG-CV

ITEM	PART NUMBER		QTY	NOTE	DESCRIPTION
	Panagon	OEM			
1	PS139092	932966	1		Pressure Compensator Body
1	PS1624	412890	1		Pressure Compensator Body
2	PS83428	392175	1		Adjusting Plug
3	PS91024	937039	1		Jam Nut
4	PS37	239371	1	B	Spring
4	PS8088	417649	1	C	Spring
5	PS36	234204	1		Seat
6	PS1626	296234	1	B	Spool
6	PS1624	412890	1	C	Spool
7	PS8123	398071	1	D	O-Ring Plug
7	PS192	113000	1	E	NPT Plug
8	PS2254	343740	1		O-Ring Plug
9	PS1485	010358	4		Socket Head Cap Screw
10	PS90309	913451	1	A	Gasket
11	PS5813533	104166-011	1	A	O-Ring
12	PS136585	154124	1	A/D	O-Ring
13	PS136599	124126	1	A	O-Ring
14	PS134800	173792	1	A	O-Ring
15	PS577672	287144	1	A	Back-Up Ring

- A Included in PS1420 / 923989 Seal Kit
- B (CG) Compensators Only
- C (CV) Compensators Only
- D Used in PS139092 / 932966 Body Only
- E Used in PS1624 / 412890 Body Only





**PROUDLY MANUFACTURED IN THE USA**

OEM Quality Hydraulic Pumps • OEM Quality Hydraulic Motors  
OEM Quality Replacement Parts For: Vickers/Eaton, Rexroth and Caterpillar

51375 Regency Center Dr., Macomb, MI 48042 | Phone: 586-786-3920 | Fax: 586-786-7331  
Email: [sales@panagonsystems.com](mailto:sales@panagonsystems.com)



[WWW.PANAGONSYSTEMS.COM](http://WWW.PANAGONSYSTEMS.COM)